



# **SR4-WBS3+**

## *User Manual*

|  |    |
|--|----|
| » SOHORAID SR4 Series User Manual .....            | 3  |
| » SOHORAID SR4 Serie Bedienungsanleitung .....     | 9  |
| » Série SOHORAID SR4 Manuel de l'utilisateur ..... | 15 |
| » Manual de usuario de SOHORAID SR4 Series .....   | 21 |
| » SOHORAID SR4 系列產品使用說明 .....                      | 27 |
| » SOHORAID SR4 シリーズユーザーマニュアル .....                 | 33 |
| » SOHORAID SR4 시리즈 사용 설명서 .....                    | 39 |
| » SOHORAID SR4 系列产品使用说明 .....                      | 45 |

## Introduction

Thank you for purchasing STARDOM products. This manual will introduce the SOHORAID SR4 Series. Before using your SOHORAID SR4, please read this manual thoroughly. Although all information contained in this user manual has been carefully verified before publishing, however, the actual product specification will be based on the time of delivery from STARDOM. Any updates to the product specifications or relevant information may be found on [www.stardom.com.tw](http://www.stardom.com.tw). Products are subject to change without prior notifications.

If you have any questions regarding the products of STARDOM, or you would like to know the latest product information, user manual update, or firmware update, please contact your local supplier or visit [www.stardom.com.tw](http://www.stardom.com.tw) for further information.

Copyright © RAIDON TECHNOLOGY, INC. All rights reserved.

## Table of Contents

1. Package Contents and Product Views
2. Environmental Requirements
3. Hardware Requirements and Precautions
4. Hardware Installation
5. Description of Front Panel Operation and LCD Information
6. Replacement of Malfunctioning Drive and Data Rebuild Instructions
7. System Temperature Overheat and Fan Failure Management
8. Visual Status Indicator Definitions
9. Frequently Asked Questions

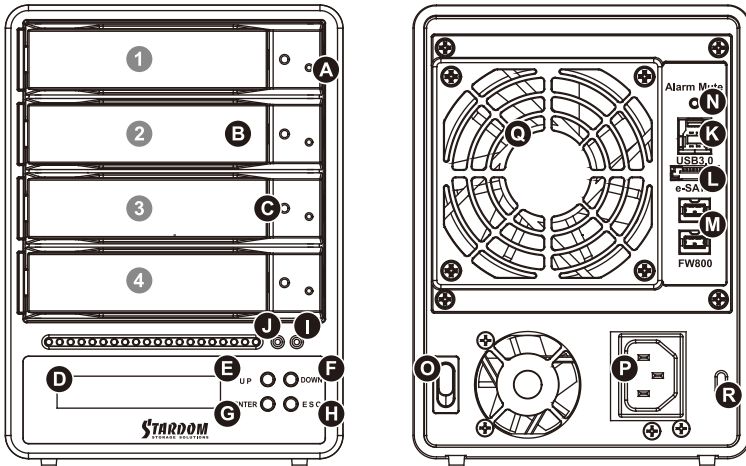
## 1. Package Contents and Product Views

Open the package and you should find the following:

| SR4-WBS3+  |
|--|
| SR4-WBS3+ x 1 ( with removable drive tray enclosed x 4 ) |
| Firewire 800 (1394b) Cable x 1                           |
| e-SATA Cable x 1   |
| USB 3.0 Cable x 1  |
| AC Power Cable x 1                                       |
| Accessories Kit  |
| User Manual  |

Please make sure that the contents listed above are not damaged or missing. If you should find damages or missing contents, please contact your supplier immediately.

Front and Rear View



- A. Hard drive status indicator
- B. Removable drive tray
- C. Key access opening
- D. LCM display
- E. UP button
- F. DOWN button
- G. ENTER button
- H. ESC button
- I. Power indicator
- J. Alarm indicator
- K. USB3.0 interface connection
- L. e-SATA interface connection
- M. FireWire 800 (1394b) interface connection
- N. Mute button
- O. Power Switch
- P. Power socket
- Q. Cooling fan
- R. Anti-theft cord slot

**Drive Position**

Drive position (1)                  Drive position (2)                  Drive position (3)                  Drive position (4)

**Storage Mode Definition**

Independent mode ( JBOD ) : Four discrete storage capacities.

Speed mode ( Raid 0 ) : One big independent data storage with without data protection.

Safe mode ( Raid 1 ) : One independent data storage with data protection.

The secondary FireWire 800 (1394b) connection on the SR4-WBS3+ is provided to connect and extend to another FireWire 800 (1394b) device.

This products uses a low-noise Switching Power Supply. Its built-in fan will temporary stop while the total power consumption is below 50% of the full load.

**2. Operating Information**

Operating Temperature : 0 ~ 40 °C (32 ~ 104 °F)

Storage Temperature : -10 ~ 70 °C (14 ~ 158 °F)

Line Voltage : 100 ~ 240V AC

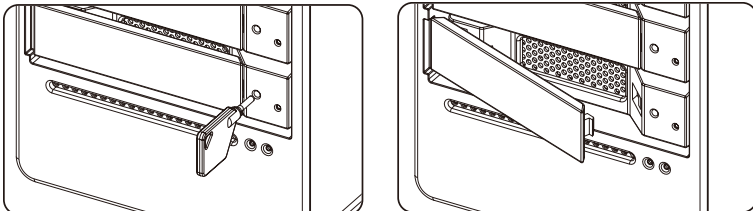
### 3. Hardware Requirements and Precautions

1. Only one interface connection may be used at once per computer system.
2. RAID volume formation utilizes the capacity of whichever hard drive has the smallest and then multiply that capacity by three for RAID 5, four for RAID 0, to form a large volume, therefore, it is recommended to only install hard drives of the same brand and specification for all drive position prior to use. Moreover, when you need to replace with a new hard drive, please be sure to purchase one with the same specification, capacity and brand. If these conditions can't be met, select one that's at least 20 GB greater in capacity.
3. The actual storage capacity of SR4-WBS3+ recognized by the system may differ from the total capacity stated on the hard drives once the drives have been formatted.
4. When connected to the computer system, it's prohibited to remove, insert or swap the hard drive while data transfer is being performed.
5. It's prohibited to change the positioning of the drives once the initial installation has been completed as the changes made to the drive positions may destroy the RAID formation.
6. If you discover that hard drive failure is taking place, go to Section 6 "Replacement of Malfunctioning Drive and Data Rebuild Instructions" and follow the steps accordingly.
7. Whenever turning off or unplugging the SR4-WBS3+ from your computer system becomes necessary, always remember to safely remove it from your operating system first.
8. In RAID 5 mode, the system allows one single hard drive failure. If multiple drive failures occur at once, it's likely that all data stored in the system have been destroyed or lost. In RAID 0 mode, if one hard drive failure occurs, then all data maybe destroyed or lost. If this happens, we recommend you to consult with a professional hard drive data recovery specialist to see if your data may be recoverable.
9. It is highly recommended for users to back up important data contained within the SR4-WBS3+ unit on a regular basis or whenever the user feels necessary to a remote or a separate storage device. Stardom will not be responsible for any lost of data caused during the use of the unit or the recovery of the data lost.

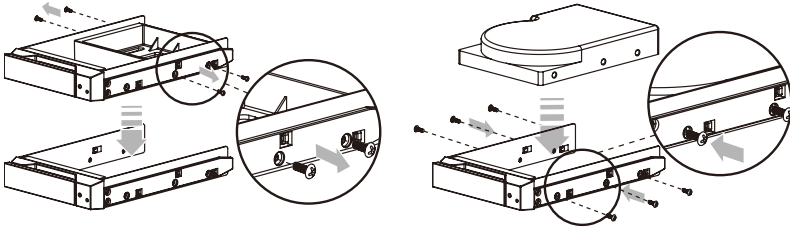
### 4. Hardware Installation

Please follow the instructions below to complete the hardware installation.

- Step 1 Open the package and take out the product making sure that all the enclosed contents are not damaged or missing. Should you find damages or missing contents, please contact your supplier immediately.
- Step 2 Place the system on a stable surface. Ensure that it is well ventilated without blockage to the vent and kept away from areas near water and damage prone areas.
- Step 3 Use the key included in the accessory kit and inserted into the key access opening to eject the removable drive tray latch and extract the removable drive tray.



Step 4 Mount your hard drives onto the removable drive tray and secure it with the screws included in the accessory kit to avoid any damage to the hard drive due to accidental movements.



Step 5 When the hard drive installation has been completed, insert the hard drive tray into the system horizontally and secure the latch into place.

Step 6 Connect the AC power cable to the SR4-WBS3+, and then plug the AC power to the wall socket. Boot-up the unit.

Step 7 Set the storage mode using the LCD and buttons on the front (please refer to section 5 for front panel and LCD information).

Step 8 Connect the cable to the PC and the SR4-WBS3+ port.

Step 9 After boot-up, your operating system will automatically detect the storage capacity of your hard drives. Please follow the operating system instructions to configure and format your drives. The formatted drives can be configured for the RAID setup.

## 5. Description of Front Panel Operation and LCD Information

| Level 0                            | Level 1        | Level 2             | Level 3                        | Level 4             |                |  |
|------------------------------------|----------------|---------------------|--------------------------------|---------------------|----------------|--|
| EXTERNAL 4 BAY<br>HARDWARE<br>RAID | Quick Setup    | Create One RAID     | RAID 0 / RAID 5                | Select Disk         |                |  |
|                                    |                | Delete All RAID     |                                |                     |                |  |
|                                    | Disk Manager   | Identify Disk       |                                | Disk 1              | Check Disk LED |  |
|                                    |                |                     |                                | Disk 2              | Check Disk LED |  |
|                                    |                |                     |                                | Disk 3              | Check Disk LED |  |
|                                    |                |                     |                                | Disk 4              | Check Disk LED |  |
|                                    |                | Show Disk Info      | < Disk Info >                  |                     |                |  |
|                                    | RAID Manager   | Identify RAID       | Select RAID                    |                     |                |  |
|                                    |                | Create RAID         | RAID 0 / RAID 5                | Select Disk         |                |  |
|                                    |                | Delete RAID         | Select RAID                    |                     |                |  |
|                                    |                | RAID Info           |                                |                     |                |  |
|                                    |                | Change RAID Pwd     | < Password > for RAID setup    |                     |                |  |
|                                    |                | Rebuilding Priority | Highest/High/Medium/Low/Lowest |                     |                |  |
|                                    |                | Standby Timer       | < 99999min >                   |                     |                |  |
|                                    | System Manager | System Info         | Firmware Version               |                     |                |  |
|                                    |                | Change Password     | < Password > for System Info   |                     |                |  |
|                                    |                | Logout From Menu    | < Y or N >                     |                     |                |  |
|                                    |                | Alarm Control       | Mute the Buzzer                |                     |                |  |
|                                    |                | Hardware Monitor    | Voltage Monitor                | < 3.3V / 5V / 12V > |                |  |
|                                    |                |                     | Temp. Monitor                  | < Temp. >           |                |  |
|                                    | FAN Monitor    |                     | <Fan Speed/Fan Level>          |                     |                |  |

## 6. Replacement of Malfunctioning Drive and Data Rebuild Instructions

When a front hard drive indicator has lit up red and the audio alarm sounds, this could mean the indicated hard drive may be malfunctioning. If this occurs, you may press the mute button at the rear of the system to shut off the audio alarm and power off the system immediately if in the allowed operational state, and then re-power on the system to double check and see if in fact the indicated hard drive has malfunctioned. If the problem persists, please turn off the system and follow the directions below :

Step 1 Remove the drive tray containing the malfunctioned hard drive and disassemble the hard drive from drive tray.

Step 2 Mount the new hard drive onto the tray and insert it back to the empty drive position of the SR4, then push the latch into place making sure it is secured and locked.

Step 3 In RAID 5 mode, when you turn the system on, the hard drive status indicator of the replacement drive will interchangeably blink red and purple to inform that the data is being rebuilt to the replacement drive. During data rebuild, you may operate the SR4-WBS3+ as normal. When the indicator stops, the data rebuild process has been completed.

## 7. System Temperature Overheat and Fan Failure Management

If the alarm indicator has lit up red and the audio alarm sounds, this could mean that either a system fan has stopped operating entirely or the system temperature has exceeded over the default temperature of 60°C. When this occurs, you may press the mute button at the rear of the system to shut off the audio alarm and power off the system immediately if in the allowed operational state to let the system cool. Check and see if the overall operation environment is well ventilated and make sure there are no blockages to the enclosed fan and then re-power on the system to continue use. If the problem persists, please turn off the system and contact your supplier or the STARDOM tech support for further assistance.

## 8. Visual Status Indicator Definitions

| States     | Front LED |           |  | buzzer                       |
|------------|-----------|-----------|--|------------------------------|
|            | Power LED | Alarm LED | HDD LED  |                              |
| Power on   | Blue      | -----     | Blue flash -> Blue   | 1 long when booting finished |
| No disk    | Blue      | -----     | -----  | -----                        |
| Disk Fail  | Blue      | -----     | Red  | -----                        |
| RAID Fail  | Blue      | -----     | Red  | 4 short                      |
| Disk Idle  | Blue      | -----     | Blue   | -----                        |
| Format     | Blue      | -----     | Blue flash   | -----                        |
| Access     | Blue      | -----     | Blue flash   | -----                        |
| Fan Fail   | Blue      | Red       | Blue   | 4 short                      |
| Over Temp  | Blue      | Red       | Blue   | 4 short                      |
| Rebuilding | Blue      | -----     | Source: Blue flash<br>Target: Blue and Purple light on alternatively | -----                        |

## 9. Frequently Asked Questions

### **Q1. Which drive format should I choose to format the hard drives in the SR4-WBS3+?**

A: It depends on the computer system you most often use. See the below suggestions:

1. Use NTFS format for Windows 2000/XP/Vista/Windows 7 system
2. Use HFS+ (Mac OS Extended) format for a Mac OS X system
3. Choose FAT32 format if you'll use the SR4 in both Windows and Mac environments (the maximum size of one single file may not exceed 4 GB).

### **Q2. Why can't my SR4-WBS3+ reach the transfer performance speed of 200 MB/s via e-SATA interface as stated on your website?**

A: 1. Please first check if your PCI-E SATA host adapter would only support PCI-E (1X).

This type of host adapters cannot reach the transfer performance speed beyond 135MB/s.

2. It is recommended to purchase STARDOM SJ20-x8 (PCI-E 8X) host adapter to enhance the transfer speed performance via e-SATA.
3. The SR4-WBS3+ will need to be set to the RAID 0 mode also.



## Über diese Anleitung

Vielen Dank für den Kauf eines STARDOM Produkts. Diese Bedienungsanleitung beschreibt das STARDOM SOHORAID SR4 Produkt. Bevor Sie dieses Produkt benutzen, lesen Sie diese Anleitung bitte sorgfältig durch. Obwohl alle Informationen in dieser Anleitung vor der Veröffentlichung sorgfältig überprüft wurden, beziehen sich die tatsächlichen Produktspezifikationen auf die Zeit der Auslieferung durch STARDOM. Aktualisierungen der Produktspezifikationen können auf der Webseite [www.stardom.com.tw](http://www.stardom.com.tw) gefunden werden. Änderungen der Produkte ohne vorherige Nachricht vorbehalten. Wenn Sie Fragen zu den Produkten von STARDOM haben, oder mehr über die aktuellsten Produktinformationen, Aktualisierungen der Bedienungsanleitung oder Firmwareupdates erfahren möchten, kontaktieren Sie bitte Ihren Händler vor Ort oder besuchen Sie [www.stardom.com.tw](http://www.stardom.com.tw) für weitere Informationen.

Copyright © RAIDON TECHNOLOGY, INC. All Rechte vorbehalten.

## Inhaltsverzeichnis

1. Packungsinhalt und Produktansichten
2. Betriebsbedingungen
3. Hardwarevoraussetzungen und Vorsichtsmaßnahmen
4. Hardwareinstallation
5. Description of Front Panel Operation and LCD Information
6. Austausch eines defekten Laufwerks und Anweisungen zur Datenwiederherstellung
7. Verhalten bei Systemüberhitzung und Lüfterausfall
8. Beschreibung der visuellen Statusanzeige
9. Oft gestellte Fragen

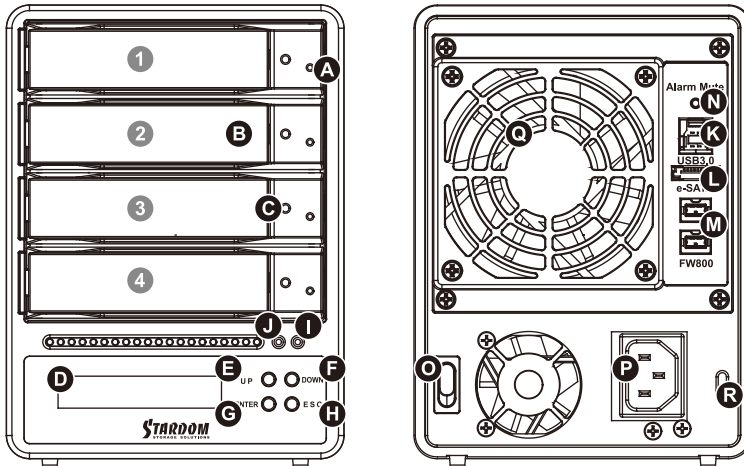
### 1. Packungsinhalt und Produktansichten

Öffnen Sie das Paket und Sie sollten die folgenden Dinge vorfinden:

| SR4-WBS3+  |
|--|
| SR4-WBS3+ x 1 (mit integriertem Wechselrahmen x 4) |
| FireWire 800 (1394b) Kabel x 1                     |
| eSATA Kabel x 1                                    |
| USB 3.0 Kabel x 1                                  |
| Stromkabel x 1                                     |
| Zubehörset   |
| SR4-WBS3+ Bedienungsanleitung                      |

Bitte stellen Sie sicher, dass die oben aufgelisteten Inhalte nicht beschädigt sind oder fehlen. Falls Schäden oder fehlende Inhalte festgestellt werden, kontaktieren Sie bitte umgehend Ihren Händler.

## Vorder- und Rückansichten



- |                                     |                     |                                    |               |
|-------------------------------------|---------------------|------------------------------------|---------------|
| A. Festplatten-Statusanzeige        | B. Wechselrahmen    |                                    |               |
| C. Schlüsselzugangsöffnung          | D. LCD Anzeige      |                                    |               |
| E. UP Taste                         | F. DOWN Taste       | G. ENTER Taste                     | H. ESC Taste  |
| I. Netzanzeige                      | J. Alarmanzeige     |                                    |               |
| K. USB 3.0 Anschluss                | L. e-SATA Anschluss | M. FireWire 800 (1394b) Anschlüsse |               |
| N. Stumm Taste                      | O. Netzschalter     | P. Netzbuchse                      | Q. Kühllüfter |
| R. Steckplatz für Kensingtonschloss |                     |                                    |               |

### Laufwerkposition

- |                    |                    |
|--------------------|--------------------|
| Laufwerkposition 1 | Laufwerkposition 2 |
| Laufwerkposition 3 | Laufwerkposition 4 |

### Speichermodus Beschreibung

Unabhängiger Modus ( JBOD ) : Vier unabhängige Speicherkapazitäten.

Sicherheitsmodus (RAID 5): Großer Laufwerksspeicher mit Datenschutz.

Geschwindigkeitsmodus (RAID 0): Großer Laufwerksspeicher mit hohem Durchsatz, aber ohne Datenschutz.

Der sekundäre FireWire 800 (1394b) Anschluss des SR4-WBS3+ wird zum Anschluss anderer FireWire 800 (1394b) Geräte verwendet.

Diese Produkte verwendet eine geräuscharme Schaltnetzteil. Der eingebaute Ventilator wird vorübergehend stoppen, während der Stromverbrauch insgesamt unter 50% der Volllast.

## 2. Betriebsbedingungen

Betriebstemperatur : 0 ~ 40 °C (32 ~ 104 °F)

Lagertemperatur : -10 ~ 70 °C (14 ~ 158 °F)

Spannung : 100 ~ 240V AC

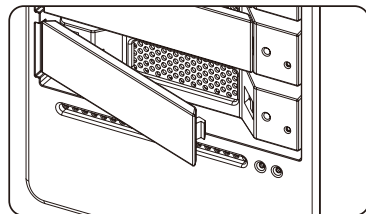
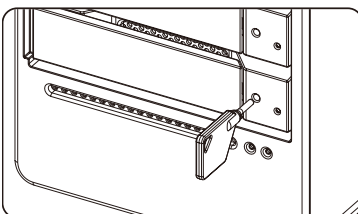
### 3. Hardwarevoraussetzungen und Vorsichtsmaßnahmen

1. Pro Computersystem kann immer nur ein Anschluss genutzt werden.
2. Die Formatierung des RAID Laufwerks verwendet die Größe der kleinsten Festplatte und multipliziert diese Größe mit drei für RAID 5, vier für RAID 0, um ein großes Laufwerk zu erstellen. Es wird daher empfohlen, nur Festplatten derselben Marke und Spezifikationen zu installieren. Stellen Sie beim Austausch eines Laufwerks zudem sicher, dass Sie ein Laufwerk derselben Spezifikation, Größe und Marke kaufen.
3. Die tatsächliche vom System erkannte Speicherkapazität von SR4-WBS3+ kann von der auf den Festplatten angegebenen Gesamtkapazität abweichen, nachdem die Laufwerke formatiert wurden.
4. Während der Verbindung mit dem Computersystem ist ein Entfernen, Einlegen oder Austauschen der Festplatte zu vermeiden, wenn ein Datentransfer ausgeführt wird.
5. Nach dem Abschluss der Erstinstallation dürfen die Laufwerke nicht mehr in ihrer Position verändert werden, da Änderungen an den Laufwerkspositionen zu einer Zerstörung der RAID-Anordnung führen könnte.
6. Wenn Sie feststellen, dass ein Festplattenfehler aufgetreten ist, gehen Sie zu Abschnitt 6 "Austausch eines defekten Laufwerks und Anweisungen zur Datenwiederherstellung" und folgen Sie den entsprechenden Schritten.
7. Wann immer ein Ausschalten oder Abtrennen von SR4-WBS3+ von Ihrem Computer notwendig wird, vergessen Sie nicht, es vorher immer aus Ihrem Betriebssystem zu entfernen.
8. Im RAID 5 Modus toleriert das System den Ausfall eines einzelnen Laufwerks. Falls mehrere Laufwerksfehler zur selben Zeit auftreten, ist es wahrscheinlich, dass alle auf dem System gespeicherten Daten zerstört wurden oder verloren sind. Im RAID 0 Modus führt der Ausfall einer Festplatte wahrscheinlich dazu, dass alle Daten zerstört wurden oder verloren sind. Falls dies geschieht, empfehlen wir Ihnen sich an einen professionellen Datenrettungsspezialisten zu wenden, um festzustellen, ob Ihre Daten vielleicht wiederhergestellt werden können.
9. Es wird dringend empfohlen, alle auf den SR4-WBS3+ Laufwerken befindlichen Daten regelmäßig oder wenn immer es der Benutzer für nötig hält auf einem fern gewarteten oder externem Speicherlaufwerk zu sichern. Stardom ist weder verantwortlich für Datenverluste, die während der Benutzung des Geräts entstehen, noch für die Wiederherstellung verlorener Daten.

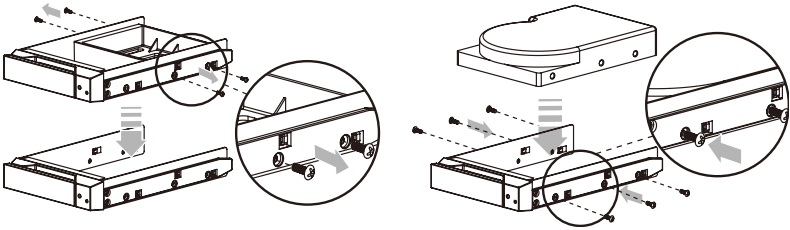
### 4. Hardwareinstallation

Bitte folgen Sie den unten stehenden Anweisungen, um die Hardwareinstallation durchzuführen:

- Schritt 1** Öffnen Sie die Verpackung und nehmen Sie das Produkt heraus. Stellen Sie sicher, dass sämtliche Inhalte unbeschädigt sind und nicht fehlen. Falls Sie Schäden oder fehlende Inhalte feststellen sollten, kontaktieren Sie bitte umgehend Ihren Händler.
- Schritt 2** Stellen Sie das Gerät auf eine stabile Unterlage. Stellen Sie sicher, dass es gut belüftet ist, die Öffnungen nicht blockiert werden und von Orten in der Nähe von Feuchtigkeit oder an denen das Produkt beschädigt werden könnte ferngehalten wird.
- Schritt 3** Benutzen Sie den mitgelieferten Schlüssel im Zubehörset und stecken Sie ihn in die Schlüsselzugangsöffnung, um die Wechselrahmenklappe auszuwerfen und den Wechselrahmen zu entnehmen.



Schritt 4 Entfernen Sie den Laufwerksstabilisator vom Wechselrahmen. Montieren Sie die Festplatte auf dem Wechselrahmen und sichern Sie sie mit den Schrauben aus dem Zubehörset.



Schritt 5 Legen Sie das Laufwerk nach Abschluss wieder zurück in die Laufwerksposition und schließen Sie den Hebel.

Schritt 6 Schließen Sie das AC-Stromkabel an den SR4-WBS3+ und das AC-Netz Kabel an eine Wandsteckdose an. Starten Sie das Gerät.

Schritt 7 Legen Sie den Speichermodus über die LCD-Anzeige mit den Tasten an der Vorderseite fest (Informationen zur Gerätevorderseite und der LCD-Anzeige finden Sie in Abschnitt 5).

Schritt 8 Schließen Sie das Kabel an den PC und an den SR4-WBS3+-Anschluss an.

Schritt 9 Nach dem Systemstart erkennt das Betriebssystem automatisch die Speicherkapazität der Festplatten. Folgen Sie den Anweisungen des Betriebssystems, um die Laufwerke zu konfigurieren und formatieren. Die formatierten Laufwerke können für das RAID-Setup formatiert werden.

## 5. Description of Front Panel Operation and LCD Information

| Level 0                         | Level 1          | Level 2         | Level 3             | Level 4                        |                                    |  |
|---------------------------------|------------------|-----------------|---------------------|--------------------------------|------------------------------------|--|
| EXTERNAL 4 BAY<br>HARDWARE RAID | Quick Setup      | Create One RAID | RAID 0 / RAID 5     | Select Disk                    |                                    |  |
|                                 |                  | Delete All RAID |                     |                                |                                    |  |
|                                 | Disk Manager     | Identify Disk   | Disk 1              |                                | Check Disk LED                     |  |
|                                 |                  |                 | Disk 2              |                                | Check Disk LED                     |  |
|                                 |                  |                 | Disk 3              |                                | Check Disk LED                     |  |
|                                 |                  |                 | Disk 4              |                                | Check Disk LED                     |  |
|                                 |                  | Show Disk Info  | < Disk Info >       |                                |                                    |  |
|                                 | RAID Manager     |                 | Identify RAID       | Select RAID                    |                                    |  |
|                                 |                  |                 | Create RAID         | RAID 0 / RAID 5                | Select Disk                        |  |
|                                 |                  |                 | Delete RAID         | Select RAID                    |                                    |  |
|                                 |                  |                 | RAID Info           |                                |                                    |  |
|                                 |                  |                 | Change RAID Pwd     | < Password > for RAID setup    |                                    |  |
|                                 |                  |                 | Rebuilding Priority | Highest/High/Medium/Low/Lowest |                                    |  |
|                                 |                  |                 | Standby Timer       | < 9999min >                    |                                    |  |
|                                 |                  | System Manager  |                     | System Info                    | Firmware Version                   |  |
|                                 |                  |                 |                     | Change Password                | < Password > for System Info       |  |
|                                 |                  |                 |                     | Logout From Menu               | < Y or N >                         |  |
|                                 |                  |                 | Alarm Control       | Mute the Buzzer                |                                    |  |
|                                 | Hardware Monitor |                 |                     | Voltage Monitor                | < 3.3V / 5V / 12V >                |  |
|                                 |                  |                 |                     | FAN Monitor                    | < Temp. ><br><Fan Speed/Fan Level> |  |

## 6. Austausch eines defekten Laufwerks und Anweisungen zur Datenwiederherstellung

Wenn eine vordere Festplattenanzeige rot aufleuchtet und ein Audiosignal ausgegeben wird, dann könnte dies bedeuten, dass das betreffende Laufwerk eine Fehlfunktion aufweist. Falls dies geschieht, können Sie auf die Stummtaste an der Rückseite des Systems drücken, um das Audiosignal abzuschalten und das System, falls es der Betriebszustand zulässt, sofort ausschalten und anschließend wieder neu starten, um sicherzugehen, dass das betreffende Laufwerk wirklich defekt ist. Falls das Problem weiterhin besteht, schalten Sie das System bitte aus und folgen Sie den unten stehenden Anweisungen:

- Schritt1 Entfernen Sie den Wechselrahmen mit der defekten Festplatte und entfernen Sie die Festplatte vom Wechselrahmen.
- Schritt2 Montieren Sie die neue Festplatte auf dem Wechselrahmen und bringen Sie ihn zurück in die leere Laufwerksposition des SR4-WBS3+. Drücken Sie anschließend auf den Hebel, um sicherzustellen, dass der Wechselrahmen befestigt und gesichert ist.
- Schritt3 Wenn Sie das System im RAID 5 Modus einschalten, wird die Festplattenstatusanzeige des defekten Laufwerks abwechselnd rot und lila blinken, um Sie zu informieren, dass die Daten auf dem neuen Laufwerk wiederhergestellt werden. Während der Datenwiederherstellung können Sie den SR4-WBS3+ ganz normal verwenden. Wenn die Anzeige stoppt, ist der Datenwiederherstellungsprozess abgebrochen.

Da im RAID 0 Modus alle Daten durch eine Laufwerksfehlfunktion zerstört wurden oder verloren sind, müssen Sie die Laufwerke erneut formatieren.

## 7. Verhalten bei Systemüberhitzung und Lüfterausfall

Falls die Alarmanzeige rot aufleuchtet und der Audioalarm ertönt, könnte dies bedeuten, dass entweder ein Systemlüfter komplett ausgefallen ist oder die Systemtemperatur die Standardtemperatur von 60°C überschritten hat. Wenn dies passiert, können Sie die Stummtaste an der Rückseite des Systems drücken, um den Audioalarm auszuschalten und das System, falls es der Betriebszustand zulässt, sofort herunterzufahren und das System abkühlen zu lassen. Prüfen Sie, dass die gesamte Arbeitsumgebung gut belüftet wird und stellen Sie sicher, dass der Lüfter nicht blockiert wird. Starten Sie das System anschließend neu, um mit der Benutzung fortzufahren. Falls das Problem noch weiter besteht, schalten Sie das System bitte aus und kontaktieren Sie Ihren Händler oder den Technischen Kundendienst von STARDOM, um weitere Hilfe zu erhalten.

## 8. Beschreibung der visuellen Statusanzeige

| States     | Front LED |           |  | buzzer                       |
|------------|-----------|-----------|--|------------------------------|
|            | Power LED | Alarm LED | HDD LED  |                              |
| Power on   | Blue      | -----     | Blue flash -> Blue   | 1 long when booting finished |
| No disk    | Blue      | -----     | -----  | -----                        |
| Disk Fail  | Blue      | -----     | Red  | -----                        |
| RAID Fail  | Blue      | -----     | Red  | 4 short                      |
| Disk Idle  | Blue      | -----     | Blue   | -----                        |
| Format     | Blue      | -----     | Blue flash   | -----                        |
| Access     | Blue      | -----     | Blue flash   | -----                        |
| Fan Fail   | Blue      | Red       | Blue   | 4 short                      |
| Over Temp  | Blue      | Red       | Blue   | 4 short                      |
| Rebuilding | Blue      | -----     | Source: Blue flash<br>Target: Blue and Purple light on alternatively | -----                        |

## 9. Oft gestellte Fragen

### Q1. Welches Laufwerksformat sollte ich wählen, um die Laufwerke für den SR4-WBS3+ zu formatieren?

A: Das hängt von Ihrem verwendeten Computersystem ab. Siehe folgende Vorschläge:

1. Benutzen Sie NTFS für Windows 2000/XP/Vista/Windows 7.
2. Benutzen Sie das HFS+ (MAC OS Extended) Format für ein MAC OS X System.
3. Wählen Sie das FAT32 Format, wenn Sie den SR4-WBS3+ sowohl in Windows als auch Mac Umgebungen benutzen (die maximale Größe einer einzelnen Datei darf 4GB nicht überschreiten).

### Q2. Warum kann mein SR4-WBS3+ nicht die hohe Übertragungsgeschwindigkeit von mehr als 200 MB/Sek. über die e-SATA Schnittstelle, wie auf Ihrer Webseite angegeben, erreichen?

- A: 1. Bitte prüfen Sie zunächst, ob Ihr PCI-E SATA Host Adapter nur PCI-E (1X) unterstützt. Diese Art von Host Adapter kann keine Übertragungsgeschwindigkeiten über 140 MB/s erreichen.
2. Es wird empfohlen, den STARDOM SJ20-8x (PCI-E 8X) Host Adapter zur Erhöhung der Übertragungsgeschwindigkeit über e-SATA zu erwerben.

## A propos de ce manuel

Merci pour l'achat d'un produit STARDOM.

Ce manuel présente la série de produits STARDOM SR4. Veuillez entièrement lire ce manuel avant l'utilisation de ce produit. Toutes les informations contenues dans ce manuel ont été attentivement vérifiées avant la publication, toutefois, les caractéristiques actuelles du produit sont basées sur le moment de livraison par STARDOM. Toutes mises à jour des caractéristiques du produit ou des informations relatives sont disponibles sur [www.stardom.com.tw](http://www.stardom.com.tw). Les produits sont sujets à des modifications sans notice préalable. Si vous avez des questions concernant les produits de STARDOM, ou si vous souhaitez obtenir les dernières informations sur un produit, une mise à jour du manuel ou du firmware, veuillez contacter votre fournisseur local ou allez sur le site [www.stardom.com.tw](http://www.stardom.com.tw) pour plus d'informations.

Droit de Reproduction © RAIDON TECHNOLOGIE, INC. Tous droits réservés.

## Table des matières

1. Contenu de la boîte et description du produit
2. Conditions ambiantes
3. Besoins en matériel et précautions
4. Installation du matériel
5. Description des opérations du panneau avant et Informations sur le LCD
6. Remplacement d'un disque défectueux et instructions pour reconstruire les données
7. Gestion de surchauffe du système et de panne du ventilateur
8. Définition des indicateurs visuels de statut
9. Foire Aux Questions

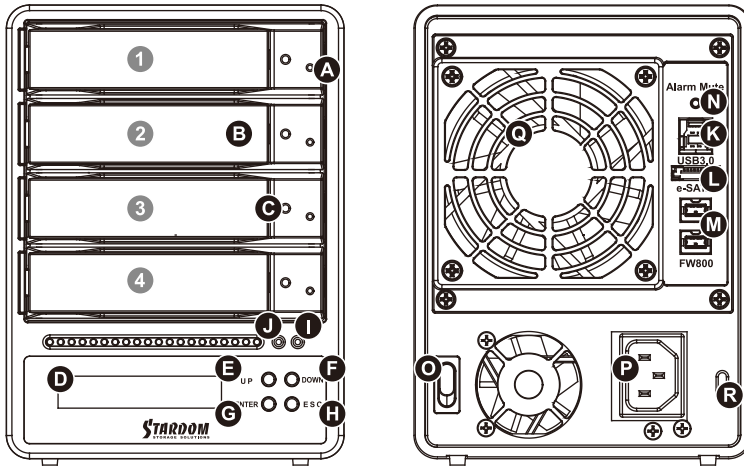
### 1. Contenu de la boîte et description du produit

Ouvrez l'emballage et vous devriez trouver les éléments suivant :

| SR4-WBS3+  |
|--|
| 1 x SR4-WBS3+ (avec 4 x lecteurs amovibles fermés) |
| 1 x Câble FireWire 800 (1394b)                     |
| 1 x Câble eSATA                                    |
| 1 x Câble USB 3.0                                  |
| 1 x Cordon d'alimentation                          |
| Kit d'accessoires                                  |
| Manuel utilisateur du SR4-WBS3+                    |

Veuillez vous assurer que le contenu énuméré ci-dessus n'est ni endommagé ni manquant. S'il y a des éléments endommagés ou manquant, veuillez contacter votre fournisseur immédiatement.

## Vues de devant et de derrière



- A. Indicateur du statut du disque dur  
 B. Baie de disque amovible  
 C. Serrure d'ouverture de l'accès  
 D. Panneau d'affichage LCD  
 E. Bouton UP  
 F. Bouton DOWN  
 G. Bouton ENTER  
 H. Bouton ESC  
 I. Indicateurs d'alimentation électrique  
 J. Indicateur de l'alarme  
 K. Interface de connexion USB 3.0  
 L. Interface de connexion e-SATA  
 M. Interface de connexion FireWire 800 (1394b)  
 N. Touche de silence  
 O. Interrupteur d'alimentation  
 P. Prise d'alimentation  
 Q. Ventilateur de refroidissement  
 R. Cordon antivol

**Position du disque**

- Emplacement du lecteur 1  
 Emplacement du lecteur 2  
 Emplacement du lecteur 3  
 Emplacement du lecteur 4

**Définition des modes de stockage**

Mode indépendant ( JBOD ) : Quatre capacités de stockage distinctes.

Mode sécurisé ( RAID 5 ) : important volume de stockage avec protection des données.

Mode rapide ( RAID 0 ) : important volume de stockage avec accès à haut débit mais sans protection des données.

La seconde connexion FireWire 800 (1394b) de l'SR4-WBS3+ permet la connexion et l'extension vers un autre appareil FireWire 800 (1394b).

Cette utilise un faible bruit d'alimentation de commutation. Son ventilateur intégré s'arrête alors que temporaire la consommation d'énergie totale est inférieure à 50% de la pleine charge.

**2. Conditions ambiantes**

Température de fonctionnement : 0 ~ 40 °C (32 ~ 104 °F)

La température de stockage : -10 ~ 70 °C (14 ~ 158 °F)

Tension secteur : 100 ~ 240V C.A.



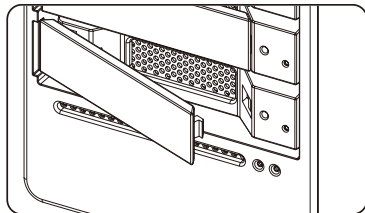
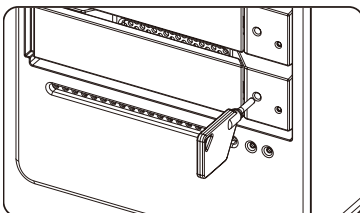
### 3. Besoins en matériel et précautions

1. Une seule interface de connexion à la fois peut être utilisée par système d'ordinateur.
2. Les formations de volume RAID utilisent la capacité du disque qui a la plus petite capacité puis multiplient celle-ci par trois pour le RAID 5 ou par quatre pour le RAID 0, afin de constituer un volume plus grand, par conséquent il est recommandé de seulement installé des disques dur de la même marque et ayant les mêmes spécifications. De plus, lorsque vous devez changer l'un des disques dur veuillez vous assurer que le nouveau disque est de la même marque, a la même capacité et les mêmes spécifications que les autres disques. Si ces conditions ne peuvent pas être remplies, veuillez en choisir un qui fait au moins 20 Go de plus.
3. La capacité de stockage réel de la série SR4-WBS3+ identifiée par le système peut différer de la capacité totale indiquée sur les disque dur combinés une fois que les disques ont été formatés.
4. Lors de la connexion à un système informatique, il est interdit de retirer, insérer ou échanger le disque dur pendant le transfert de données.
5. Il est interdit de changer la position des disques une fois que l'installation initiale est terminée, sinon vous risquez de détruire la formation RAID.
6. Si vous découvrez que l'un des disques dur est en panne, veuillez consulter la section 6 "Remplacement d'un disque défectueux et instructions pour reconstruire les données" et suivez les instructions.
7. Chaque fois que vous devez éteindre ou débrancher le SR4-WBS3+ de votre ordinateur, n'oubliez pas de toujours le déconnecter (éjecter) de votre système d'exploitation en premier.
8. En mode RAID 5, le système autorise la panne d'un seul disque dur. Si plusieurs disques dur viennent à tomber en panne en même temps alors toutes les données enregistrées sur les disques sont détruites ou perdues. En mode RAID 0, il suffit qu'un seul disque soit en panne pour que toutes les données soient détruites ou perdues. Si cela arrive nous vous conseillons de consulter un spécialiste de la récupération des données de disques dur pour savoir si vos données peuvent être récupérables.
9. Il est extrêmement recommandé aux utilisateurs de sauvegarder régulièrement les données importantes contenues dans l'unité SR4-WBS3+ ou si l'utilisateur le souhaite, vers un appareil de stockage distant et distinct. Stardom ne sera pas tenu responsable de la perte de données survenant lors de l'utilisation de l'unité, ni de la récupération des données perdues.

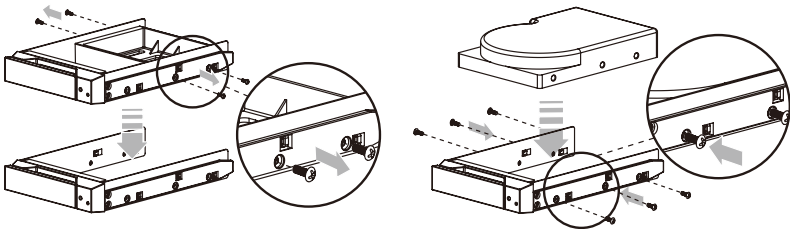
### 4. Installation du matériel

Veuillez suivre les instructions ci-dessous afin de réaliser l'installation du matériel :

- Etape1 Ouvrez la boîte et sortez le produit en vous assurant que tous les éléments inclus ne sont pas endommagés ni manquant. Si vous trouviez des éléments endommagés ou manquant, veuillez contacter votre fournisseur immédiatement.
- Etape2 Placez le boîtier sur une surface stable, veillez à ce que la pièce soit correctement ventilé et non humide et à ce que le produit soit à l'abri de toutes causes de dommages.
- Etape3 Utilisez la clé fournis dans le kit d'accessoires et insérez-là dans l'ouverture pour éjecter le cache du plateau de disque extractible et enlever le plateau de disque extractible.



Etape4 Enlevez le stabilisateur de disque du plateau amovible. Monter le disque dur sur le plateau et vissez les vis fournies dans le kit d'accessoires.



Etape5 Une fois terminé, insérez le plateau dans le rangement A et poussez le loquet afin de le bloquer.

Etape6 Branchez le câble d'alimentation secteur au SR4-WBS3+, puis branchez l'alimentation secteur à la prise murale. Démarrez l'unité.

Etape7 Réglez le mode de stockage à l'aide de l'écran LCD et des boutons sur le panneau avant (reportez-vous à la section 5 pour les informations concernant le panneau avant et l'écran LCD).

Etape8 Connectez le câble à l'ordinateur et au port du SR4-WBS3+.

Etape9 Après le démarrage, votre système d'exploitation détectera automatiquement la capacité de stockage de vos disques durs. Veuillez suivre les instructions du système d'exploitation pour configurer et formater vos disques. Les disques formatés peuvent être configurés pour la configuration RAID.

## 5. Description des opérations du panneau avant et Informations sur le LCD

| Level 0                         | Level 1          | Level 2             | Level 3                        | Level 4             |                |
|---------------------------------|------------------|---------------------|--------------------------------|---------------------|----------------|
| EXTERNAL 4 BAY<br>HARDWARE RAID | Quick Setup      | Create One RAID     | RAID 0 / RAID 5                | Select Disk         |                |
|                                 |                  | Delete All RAID     |                                |                     |                |
|                                 | Disk Manager     | Identify Disk       | Disk 1                         |                     | Check Disk LED |
|                                 |                  |                     | Disk 2                         |                     | Check Disk LED |
|                                 |                  |                     | Disk 3                         |                     | Check Disk LED |
|                                 |                  |                     | Disk 4                         |                     | Check Disk LED |
|                                 |                  | Show Disk Info      | < Disk Info >                  |                     |                |
|                                 | RAID Manager     | Identify RAID       | Select RAID                    |                     |                |
|                                 |                  | Create RAID         | RAID 0 / RAID 5                | Select Disk         |                |
|                                 |                  | Delete RAID         | Select RAID                    |                     |                |
|                                 |                  | RAID Info           |                                |                     |                |
|                                 |                  | Change RAID Pwd     | < Password > for RAID setup    |                     |                |
|                                 |                  | Rebuilding Priority | Highest/High/Medium/Low/Lowest |                     |                |
|                                 |                  | Standby Timer       | < 99999min >                   |                     |                |
|                                 | System Manager   | System Info         | Firmware Version               |                     |                |
|                                 |                  | Change Password     | < Password > for System Info   |                     |                |
|                                 |                  | Logout From Menu    | < Y or N >                     |                     |                |
|                                 |                  | Alarm Control       | Mute the Buzzer                |                     |                |
|                                 |                  |                     | Voltage Monitor                | < 3.3V / 5V / 12V > |                |
|                                 |                  |                     | Temp. Monitor                  | < Temp. >           |                |
|                                 | Hardware Monitor | FAN Monitor         |                                |                     |                |
|                                 |                  |                     | < Fan Speed / Fan Level >      |                     |                |

## 6. Remplacement d'un disque défectueux et instructions pour reconstruire les données

Lorsque l'un des indicateur de statut s'allume en rouge et qu'une alarme sonore se met à sonner, cela peut indiquer que le disque dur concerné fonctionne mal. Si cela arrive vous devez appuyez sur le bouton silence situé à l'arrière du boîtier pour éteindre l'alarme sonore et éteindre immédiatement le boîtier, puis rallumer le boîtier pour vérifier si ce n'est pas l'indicateur de statut du disque dur qui fonctionnait mal. Si le problème persiste, veuillez éteindre le boîtier et suivre les instructions suivantes :

- Etape 1 Enlevez le plateau contenant le disque dur fonctionnant mal et dévissez le disque dur du plateau.
- Etape 2 Montez le nouveau disque dur sur le plateau et insérez le dans le rangement vide du boîtier SR4-WBS3+, puis poussez le loquet pour bien verrouiller le rangement.
- Etape 3 En mode RAID 5, lorsque vous allumez le boîtier, l'indicateur de statut du disque dur du nouveau disque va clignoter alternativement en rouge et en violet pour vous informer que les données sont en train d'être reconstruite sur ce nouveau disque. Pendant la reconstruction vous pouvez utiliser de façon normale le SR4-WBS3+. L'indicateur arrêtera de clignoter lorsque le processus de reconstruction sera terminé.

En mode RAID 0, vu que toutes les données ont été détruites ou perdues à cause de la panne du disque dur, vous serez obligé de formater à nouveau les disques pour les utiliser.

## 7. Gestion de surchauffe du système et de panne du ventilateur

Si l'indicateur d'alarme arrière s'allume en rouge et que l'alarme auditive se met en marche, cela peut signifier soit un ventilateur s'est arrêté de fonctionner soit la température du système a dépassé la température par défaut de 60°C. Lorsque cela arrive, vous devez appuyer sur la touche de silence à l'arrière du boîtier afin d'éteindre immédiatement l'alarme auditive et le système si cela est autorisé dans les opérations permises. Puis laissez le système refroidir. Vérifiez si le système est bien ventilé et assurez-vous que les ventilateurs internes ne sont pas bloqués puis rallumer le système. Si le problème persiste, veuillez éteindre le système et contacter votre revendeur ou le support STARDOM pour d'avantage d'assistance.

## 8. Définition des indicateurs visuels de statut

| States     | Front LED |           |  | buzzer                       |
|------------|-----------|-----------|--|------------------------------|
|            | Power LED | Alarm LED | HDD LED  |                              |
| Power on   | Blue      | -----     | Blue flash -> Blue   | 1 long when booting finished |
| No disk    | Blue      | -----     | -----  | -----                        |
| Disk Fail  | Blue      | -----     | Red  | -----                        |
| RAID Fail  | Blue      | -----     | Red  | 4 short                      |
| Disk Idle  | Blue      | -----     | Blue   | -----                        |
| Format     | Blue      | -----     | Blue flash   | -----                        |
| Access     | Blue      | -----     | Blue flash   | -----                        |
| Fan Fail   | Blue      | Red       | Blue   | 4 short                      |
| Over Temp  | Blue      | Red       | Blue   | 4 short                      |
| Rebuilding | Blue      | -----     | Source: Blue flash<br>Target: Blue and Purple light on alternatively | -----                        |

## 9. Foire Aux Questions

Q1. Quel format de disque devrais je choisir pour formater le disque dur dans le SR4-WBS3+?

A: Cela dépend du système informatique que vous utilisez le plus souvent. Voir les suggestions ci-dessous :

1. Utilisez le format NTFS pour les système Windows 2000/XP/Vista/Windows 7.
2. Utilisez le format HFS+ (Mac OS étendu) pour un système Mac OS X.
3. Choisir le format FAT32 si vous allez utiliser SR4-WBS3+ dans des environnements de Windows et de Mac (la taille maximum d'un fichier peut ne pas dépasser 4 Go).

Q2. Pourquoi mon SR4-WBS3+ ne peut pas atteindre la vitesse de 200 MB/s via l'interface e-SATA comme indiqué sur votre site Web ?

- A: 1. Veuillez vérifier d'abord si votre adaptateur de centre serveur PCI-E SATA soutiendrait seulement PCI-E (1X). Ce type d'adaptateurs de centre serveur ne peut pas atteindre de vitesse de transfert au delà de 140 MB/s.
2. Il est recommandé d'acheter l'adaptateur de centre serveur STARDOM SJ20-8x (PCI-E 8X) pour augmenter la performance de vitesse de transfert par l'intermédiaire de e-SATA.

## Acerca de este manual

Gracias por haber adquirido los productos STARDOM.

Este manual le presentará el producto STARDOM SOHORAID SR4. Lea atentamente este manual antes de utilizar el producto. Aunque toda la información contenida en este manual del usuario ha sido verificada cuidadosamente antes de ser publicada, las especificaciones reales del producto estarán basadas en la fecha de lanzamiento desde STARDOM. Cualquier actualización de las actualizaciones del producto o cualquier información relevante será accesible desde [www.stardom.com.tw](http://www.stardom.com.tw). Los productos están sujetos a cambios sin previo aviso. Si tiene alguna pregunta acerca de los productos de STARDOM o le gustaría conocer la última información sobre un producto, actualización del manual de usuario o del firmware, contacte con su proveedor local o visite [www.stardom.com.tw](http://www.stardom.com.tw) para más información.

Derechos de Autor © RAIDON TECHNOLOGY, INC. Todos los derechos reservados.

## Índice de contenidos

1. Contenido del paquete y vistas del producto
2. Requisitos ambientales de funcionamiento
3. Requisitos de Hardware y precauciones
4. Instalación del Hardware
5. Description of Front Panel Operation and LCD Information
6. Sustitución del disco duro que no funcione correctamente. Instrucciones para la reconstrucción de los datos
7. Sistema de gestión del sobrecalentamiento de la temperatura y del fallo del ventilador
8. Definiciones del indicador visual de estado
9. Resolución de preguntas frecuentes

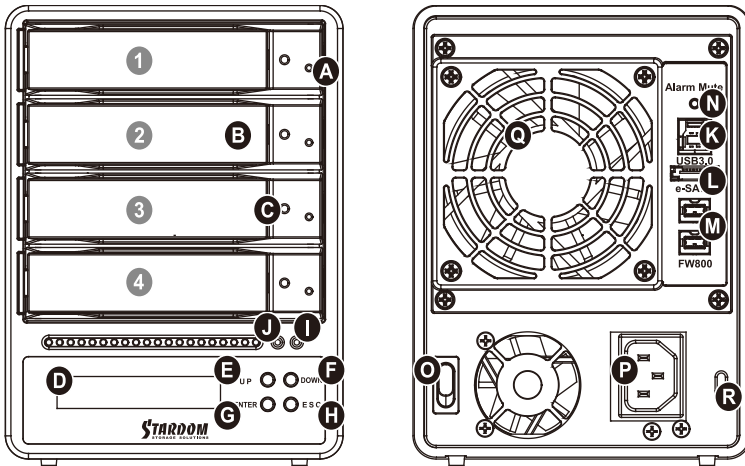
### 1. Contenido del paquete y vistas del producto

Cuando abra el paquete encontrará los siguientes elementos :

| SR4-WBS3+   |
|---|
| SR4-WBS3+ x 1 (junto con la bandeja desmontable de disco x 4) |
| Cable FireWire 800 (1394b) x 1                                |
| Cable eSATA x 1   |
| Cable USB 3.0 x 1   |
| Cable de alimentación x 1                                     |
| Kit de accesorios   |
| Manual de usuario SR4-WBS3+                                   |

Asegúrese de que no falte o esté dañado ninguno de los elementos listados anteriormente. Si hubiera contenidos dañados o faltara alguno, contacte inmediatamente con su proveedor.

## Vista frontal y posterior



- A. Indicador de estado del disco duro  
 B. Bandeja de disco extraíble  
 C. Abertura de la llave de acceso  
 D. Panel con pantalla LCD  
 E. Botón UP  
 F. Botón DOWN  
 G. Botón ENTER  
 H. Botón ESC  
 I. Indicador de encendido  
 J. Indicador de alarma  
 K. Conexión de la interfaz USB 3.0 connection  
 L. Conexión de la interfaz e-SATA  
 M. Conexión de la interfaz FireWire 800 (1394b)  
 N. Botón de silencio  
 O. Interruptor de encendido  
 P. Toma de corriente  
 Q. Ventilador de refrigeración  
 R. Ranura del cable antirrobo

**Ubicación de la unidad de disco**

Ubicación de la unidad de disco 1

Ubicación de la unidad de disco 2

Ubicación de la unidad de disco 3

Ubicación de la unidad de disco 4

**Definiciones del Modo Almacenamiento**

Modo independiente ( JBOD ): cuatro capacidades de almacenamiento discretas.

Modo Seguro ( RAID 5 ): Almacenamiento de un volumen grande con protección de datos.

Modo de Velocidad ( RAID 0 ): Almacenamiento de un volumen grande con un rendimiento de alta velocidad pero sin protección de datos.

Se proporciona la conexión secundaria FireWire 800 (1394b) del SR4-WBS3+ para conectar y extenderse a otro dispositivo FireWire 800 (1394b).

Este producto utiliza un bajo ruido de alimentación de conmutación. Su ventilador integrado se para temporal mientras que el consumo total de energía es inferior al 50% de la carga total.

**2. Requisitos ambientales de funcionamiento**

Temperatura de funcionamiento : 0 ~ 40 °C (32 ~ 104 °F)

Temperatura de almacenamiento : -10 ~ 70 °C (14 ~ 158 °F)

Voltaje de línea : 100 ~ 240V AC

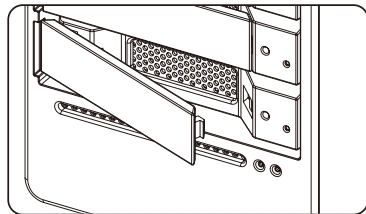
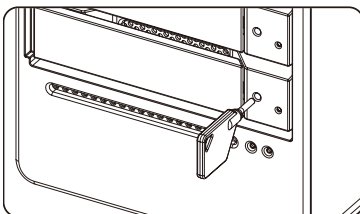
### 3. Requisitos de Hardware y precauciones

1. Utilice una sola conexión de interfaz por sistema informático.
2. La formación de un volumen RAID utiliza la capacidad de cualquiera de los discos duros que tenga la menor capacidad y la multiplica por tres en RAID 5 o por cuatro en RAID 0, para formar un volumen mayor. Por tanto, se recomienda que solo instale discos duros de las mismas marcas y especificaciones en todas las posiciones de los discos antes de utilizarlos. Además, cuando necesite sustituirlo por uno nuevo, asegúrese de que adquiere uno con las mismas especificaciones, capacidad y marca. Si no es posible reunir estas condiciones, seleccione un disco duro que tenga más de 20 GB de capacidad.
3. La capacidad real de almacenamiento del SR4-WBS3+ Series reconocida por el sistema puede diferir de la capacidad total especificada en los discos duros una vez que éstos hayan sido formateados.
4. Cuando se conecte al sistema informático, no extraiga, inserte o cambie el disco duro cuando se está llevando a cabo una transferencia de datos.
5. Está prohibido modificar las posiciones de los discos una vez completada la instalación inicial, ya que los cambios realizados podrían destruir la formación RAID.
6. Si descubre que hay un fallo en un disco duro, vaya a la Sección 6 "Sustitución de disco que no funciona correctamente. Instrucciones de reconstrucción de los datos" y siga los pasos correspondientes.
7. Siempre que sea necesario apagar o desconectar el SR4-WBS3+ del sistema del ordenador, recuerde que primero debe extraerlo de forma segura de su ordenador.

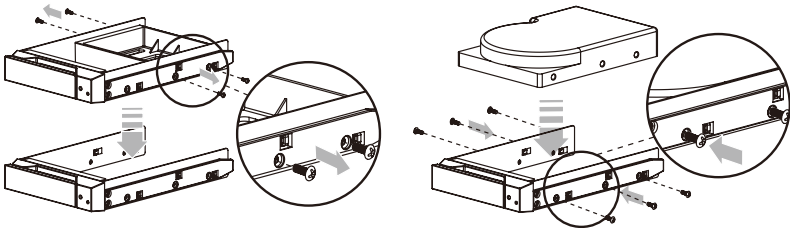
### 4. Instalación del Hardware

Siga las siguientes instrucciones para realizar la instalación del hardware :

- Paso 1 Abra el paquete y saque el producto asegurándose de que no falte o esté dañado ningún elemento. Si hubiera daños o faltara algún elemento, contacte inmediatamente con su proveedor.
- Paso 2 Coloque el dispositivo sobre una superficie estable. Asegúrese de que esté bien ventilado, que la entrada de aire no esté bloqueada y que no esté situado cerca de la humedad o donde el producto sea vulnerable y pueda dañarse.
- Paso 3 Utilice la llave proporcionada en el kit de accesorios e insértela en la abertura de la llave de acceso para expulsar el seguro de la bandeja de disco desmontable y extraer la bandeja de disco desmontable.



Paso 4 Extraiga el estabilizador de disco de la bandeja extraíble. Instale el disco duro en la bandeja y asegúrelo con los tornillos suministrados en el kit de accesorios.



Paso5 Cuando haya terminado, introduzca de nuevo la bandeja en la posición de disco y coloque el seguro en su sitio.

Paso6 Conecte el cable de alimentación AC al SR4-WBS3+, y luego enchufe la alimentación AC en la toma de corriente. Arranque la unidad.

Paso7 Ajuste el modo de almacenamiento usando el LCD y los botones frontales (consulte la sección 5 para información sobre el panel frontal y la pantalla LCD).

Paso8 Conecte el cable al PC y al puerto SR4-WBS3+.

Paso9 Tras el arranque, el sistema operativo detectará automáticamente la capacidad de almacenamiento de sus discos duros. Siga las instrucciones del sistema operativo para configurar y formatear sus unidades. Las unidades formateadas pueden ser configuradas como RAID.

## 5. Description of Front Panel Operation and LCD Information

| Level 0                         | Level 1               | Level 2             | Level 3                        | Level 4             |                |  |
|---------------------------------|-----------------------|---------------------|--------------------------------|---------------------|----------------|--|
| EXTERNAL 4 BAY<br>HARDWARE RAID | Quick Setup           | Create One RAID     | RAID 0 / RAID 5                | Select Disk         |                |  |
|                                 |                       | Delete All RAID     |                                |                     |                |  |
|                                 | Disk Manager          | Identify Disk       | Disk 1                         |                     | Check Disk LED |  |
|                                 |                       |                     | Disk 2                         |                     | Check Disk LED |  |
|                                 |                       |                     | Disk 3                         |                     | Check Disk LED |  |
|                                 |                       |                     | Disk 4                         |                     | Check Disk LED |  |
|                                 |                       | Show Disk Info      | < Disk Info >                  |                     |                |  |
|                                 | RAID Manager          | Identify RAID       | Select RAID                    |                     |                |  |
|                                 |                       | Create RAID         | RAID 0 / RAID 5                | Select Disk         |                |  |
|                                 |                       | Delete RAID         | Select RAID                    |                     |                |  |
|                                 |                       | RAID Info           |                                |                     |                |  |
|                                 |                       | Change RAID Pwd     | < Password > for RAID setup    |                     |                |  |
|                                 |                       | Rebuilding Priority | Highest/High/Medium/Low/Lowest |                     |                |  |
|                                 |                       | Standby Timer       | < 99999min >                   |                     |                |  |
|                                 | System Manager        | System Info         | Firmware Version               |                     |                |  |
|                                 |                       | Change Password     | < Password > for System Info   |                     |                |  |
|                                 |                       | Logout From Menu    | < Y or N >                     |                     |                |  |
|                                 |                       | Alarm Control       | Mute the Buzzer                |                     |                |  |
|                                 |                       | Hardware Monitor    | Voltage Monitor                | < 3.3V / 5V / 12V > |                |  |
|                                 |                       |                     | Temp. Monitor                  | < Temp. >           |                |  |
| FAN Monitor                     | <Fan Speed/Fan Level> |                     |                                |                     |                |  |



## 6. Sustitución del disco duro que no funcione correctamente. Instrucciones para la reconstrucción de los datos.

Cuando el indicador frontal del disco se encienda de color rojo y suene la alarma sonora, se indica que el disco duro puede estar funcionando incorrectamente. Si esto ocurre, pulse el botón mute (silencio) ubicado en la parte posterior del sistema para apagar la alarma sonora y apague el sistema inmediatamente si se permite en ese estado operacional. Vuelva a encender el sistema para verificar que el disco duro indicado no está funcionando correctamente. Si el problema persiste, apague el sistema y siga las siguientes instrucciones:

- Paso 1 Extraiga la bandeja de discos que contenga el disco duro que no funcione y extráigalo de la bandeja.
- Paso 2 Instale un disco duro Nuevo en la bandeja y vuélvala a colocar en la posición vacante del SR4-WBS3+. Coloque el seguro en su sitio para asegurar que la bandeja esté asegurada y bloqueada.
- Paso 3 En el modo RAID 5, cuando encienda el sistema, el indicador de estado del disco duro del disco sustituido parpadeará de manera intercambiable entre rojo y violeta para informarle que se están reconstruyendo los datos en el disco sustituido. Durante la reconstrucción de datos, puede utilizar el SR4-WBS3+ con normalidad. Cuando se detenga el indicador, el proceso de reconstrucción de datos habrá sido completado.

En el modo RAID 0, como todos los datos se han destruidos o perdidos por el mal funcionamiento del disco duro, será necesario que vuelva a formatear los discos para poder utilizarlos.

## 7. Sistema de gestión del sobrecalentamiento de la temperatura y del fallo del ventilador

Si el indicador de alarma se enciende de color rojo y suena la alarma sonora correspondiente, se indica que el ventilador del sistema ha dejado de funcionar o que la temperatura del sistema ha sobrepasado la temperatura máxima predeterminada (60°C). Cuando esto ocurra, pulse el botón de silencio situado en la parte posterior del sistema para silenciar la alarma y apague el sistema inmediatamente si lo permite el estado de funcionamiento para que el sistema se refrigere. Compruebe que el ambiente donde se utiliza el dispositivo está bien ventilado y asegúrese de que el ventilador integrado no esté bloqueado. A continuación, encienda de nuevo el sistema para seguir utilizándolo. Si el problema persiste, apague el sistema y contacte con su proveedor o con el servicio técnico de STARDOM para más asistencia.

## 8. Definiciones del indicador visual de estado

| States     | Front LED |           |  | buzzer                       |
|------------|-----------|-----------|--|------------------------------|
|            | Power LED | Alarm LED | HDD LED  |                              |
| Power on   | Blue      | -----     | Blue flash -> Blue   | 1 long when booting finished |
| No disk    | Blue      | -----     | -----  | -----                        |
| Disk Fail  | Blue      | -----     | Red  | -----                        |
| RAID Fail  | Blue      | -----     | Red  | 4 short                      |
| Disk Idle  | Blue      | -----     | Blue   | -----                        |
| Format     | Blue      | -----     | Blue flash   | -----                        |
| Access     | Blue      | -----     | Blue flash   | -----                        |
| Fan Fail   | Blue      | Red       | Blue   | 4 short                      |
| Over Temp  | Blue      | Red       | Blue   | 4 short                      |
| Rebuilding | Blue      | -----     | Source: Blue flash<br>Target: Blue and Purple light on alternatively | -----                        |

## 9. Resolución de preguntas frecuentes

### Q1. Qué formato de disco debería seleccionar para formatear los discos duros en el SR4-WBS3+?

A: Depende del sistema informático que utilice frecuentemente, Siga las siguientes sugerencias:

1. Utilice NTFS para el sistema Windows 2000/XP/Vista/Windows 7.
2. Utilice el formato HFS+ (Mac OS extendido) para el sistema MAC OS X.
3. Seleccione el formato FAT32 si va a utilizar el SR4-WBS3+ para Windows y Mac (el tamaño máximo de un archivo no puede exceder los 4 GB).

### Q2. Por qué mi SR4-WBS3+ no puede alcanzar una velocidad alta de rendimiento de transferencia de más de 200 MB/s a través de la interfaz e-SATA como se especifica en su página web?

A: 1. Compruebe en primer lugar si su adaptador Host SATA PCI-E solo admite PCI-E (1X).

Este tipo de adaptadores host no puede alcanzar la velocidad de rendimiento de transferencia más allá de los 140 MB/s.

2. Se recomienda adquirir el adaptador host STARDOM SJ20-8x (PCI-E 8X) para aumentar el rendimiento de velocidad de transmisión a través de e-SATA.

## 關於這份手冊

感謝您使用 STARDOM 的產品。本手冊將介紹 STARDOM SR4 產品。在您開始使用 SOHORAID SR4 系列產品前，建議您先閱讀過本手冊。手冊裡的資訊在出版前雖已被詳細確認，實際產品規格仍將以出貨時為準；任何產品規格或相關資訊更新請您直接到 [www.stardom.com.tw](http://www.stardom.com.tw) 網站查詢，本公司將不另行通知。若您想獲得 STARDOM 最新產品訊息、使用手冊、韌體或對 STARDOM 產品有任何疑問，請您聯絡當地供應商或到 [www.stardom.com.tw](http://www.stardom.com.tw) 取得相關訊息。

本手冊相關產品內容歸 銳鈹科技股份有限公司 版權所有

## 目錄索引

1. 產品外觀及包裝內容
2. 環境需求
3. 硬體需求與注意事項
4. 硬體安裝
5. 前面板操作及LCD 訊息說明
6. 故障硬碟更換步驟及資料重建功能說明
7. 系統過熱及風扇故障狀況排除
8. 指示燈號說明
9. 常見問題

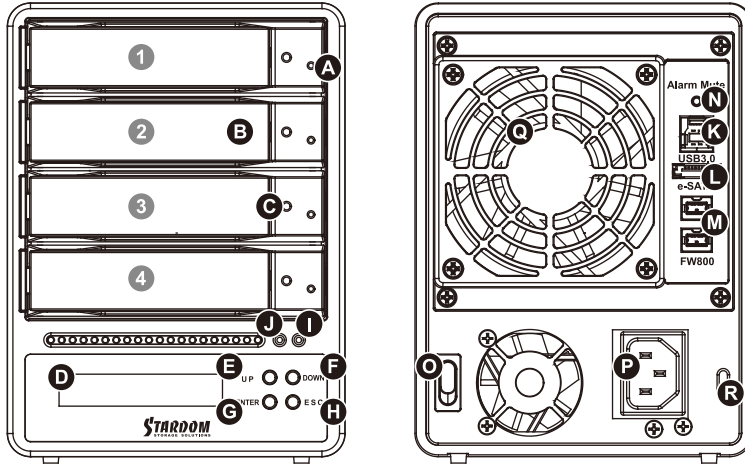
### 1. 產品外觀及包裝內容

打開包裝外盒後，包裝內容應包含下列組件：

| SR4-WBS3+                       |
|---------------------------------|
| SR4-WBS3+ 產品本體 x 1 ( 內含抽取盒x 4 ) |
| Firewire 800 (1394b) 連接線 x 1    |
| eSATA 連接線 x 1                   |
| USB 3.0 連接線 x 1                 |
| 電源線 x 1                         |
| 零件包                             |
| 操作使用手冊                          |

請確認相關配件與產品本身是否有受損或配件缺少，若有任何疑問請與本產品供應商聯絡。

## 正面與背面示意圖



- |               |               |                             |            |
|---------------|---------------|-----------------------------|------------|
| A. 硬碟狀態指示燈    | B. 硬碟抽取盒      | C. 鑰匙孔                      | D. LCM 顯示幕 |
| E. UP 按鍵      | F. DOWN 按鍵    | G. ENTER 按鍵                 | H. ESC 按鍵  |
| I. 電源指示燈      | J. 系統警示燈      |                             |            |
| K. USB3.0 連接埠 | L. e-SATA 連接埠 | M. FireWire 800 (1394b) 連接埠 |            |
| N. 靜音按鈕       | O. 電源開關       | P. 電源插座                     | Q. 風扇      |
| R. 防竊鎖孔       |               |                             |            |

## 硬碟位置

硬碟位置 1      硬碟位置 2      硬碟位置 3      硬碟位置 4

## 儲存模式模式解說

Independent mode ( JBOD ) : 四個獨立資料儲存容量。

Safe mode ( Raid 5 ) : 一個獨立資料儲存容量並包含資料保護功能。

Speed mode ( Raid 0 ) : 一個大的獨立資料儲存容量並可加速資料存取但無資料保護功能。

SR4-WBS3+ 機型提供兩組 FireWire 800 (1394b) 介面，方便您串接與延伸至另1組 FireWire 800 (1394b) 裝置。

本產品是採用低噪音的電源供應器，當通電時的負載未達 50%，電源供應器的風扇會暫停轉動。

## 2. 環境需求

工作溫度：0 ~ 40 °C (32 ~ 104 °F)

儲存溫度：-10 ~ 70 °C (14 ~ 158 °F)

工作電壓：100 ~ 240V AC

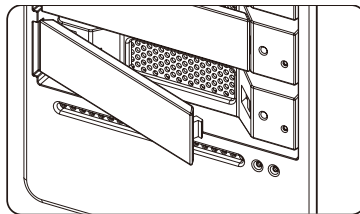
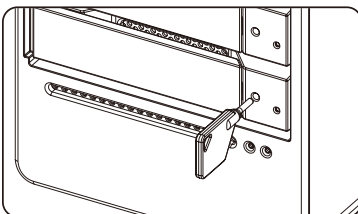
### 3. 硬體需求與注意事項

1. 本系統同一時間只可透過一組介面與一台電腦執行資料傳輸。
2. RAID 5 的容量形成是將硬碟中最小容量乘上三倍後，RAID 0 乘上四倍，之後會被視為一個大儲存容量；因此，用本系統前必須每顆硬碟裝置槽都已完成硬碟安裝，並建議全部使用相同品牌與同規格之全新硬碟。同時，如果需要更換新的硬碟時，也請您務必購買規格、容量、廠牌相同的硬碟，若您無法購買到符合上述條件的硬碟時，請選購容量大於另一硬碟最少 20GB。
3. 硬碟格式化後，由電腦主機作業系統所辨識 SR4-WBS3+ 的實際總容量會與硬碟廠所標示的容量加總後，將有所差異。
4. 當系統運作時，請勿任意移除任何一顆硬碟，以免導致資料遺失。
5. 完成系統初始化安裝後，在使用上請勿任意變更硬碟位置；此動作將可能導致系統無法形成 RAID。
6. 當您發現硬碟故障時，請參考章節 6 "硬碟故障排除與硬碟更換步驟說明"，並依照程序進行故障硬碟的更換。
7. 當您需要關閉或移除 SR4-WBS3+ 時，務必透過您所操作的作業系統中執行硬碟安全移除後，方進行電源關閉的動作。
8. 在 RAID 5 模式下儲存系統僅容許單顆硬碟故障。因此，當您發現二顆以上的硬碟顯示故障時，您先前已存儲的資料可能已毀損或遺失；在 RAID 0 模式下，當您發現一顆以上的硬碟顯示故障時，您先前已存儲的資料可能已毀損或遺失。建議您可尋找專業硬碟資料救援服務，試著將您毀損或遺失的資料重新取回。
9. 強烈建議除了使用 SR4-WBS3+ 系列的資料儲存功能外，請針對重要資料備份到另一個儲存裝置上或遠端備份，雙重備援您重要的資料。若您儲存在 SR4-WBS3+ 系列的資料損毀或遺失，STARDOM 將不負任何的責任。

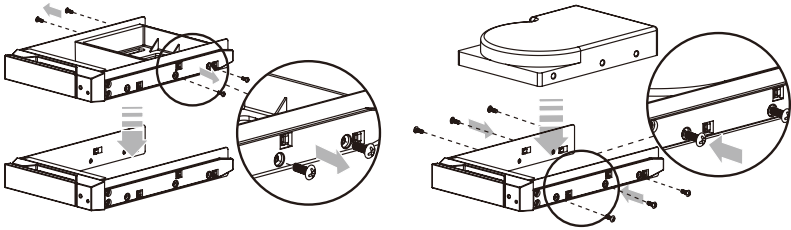
### 4. 硬體安裝

請參照以下步驟完成硬體安裝

- 步驟1 拆開外包裝,並取出產品主體。(請確認相關配件與產品本身是否有受損或是缺少 配件,若有任何疑問,請與您的經銷商或業務人員聯絡)
- 步驟2 將系統擺放於穩固平台,並確認散熱風扇口沒有被其他物體擋住,系統四周有適當的散熱空間。(擺放環境請避免接近潮濕或其他易對產品造成損傷的環境)
- 步驟3 請使用零件包內附的頂針插入鑰匙孔後,抽取盒門門會輕彈開啟,即可將硬碟抽取盒取出。



步驟4 將硬碟安裝到抽取盒上,並以零件包內附的螺絲加以固定,以避免不必要的移動對硬碟造成傷害。



步驟5 硬碟安裝完成後,請將抽取盒平移放入主機內,並關上把手。

步驟6 將 AC Power 電源線與 SR4-WBS3+ 連接,再將 AC Power 電源線與電源插座後,執行開機。

步驟7 透過前方的LCD與按鍵來設定您所需求的儲存模式。(請參考第5項 前面板操及LCD 訊息說明)

步驟8 將附件中的連接線分別接到 PC 與 SR4-WBS3+ 的相關連接埠。

步驟9 開機後,您的作業系統將會自動辨識到 RAID 容量;待辨識成功後,請依據您所需的儲存格式,將系統內的硬碟依照作業系統的指示完成格式化。待硬碟格式化完成後,便可直接執行RAID 系統。

## 5. 前面板操及LCD 訊息说明

| Level 0                         | Level 1        | Level 2             | Level 3                        | Level 4             |                |  |
|---------------------------------|----------------|---------------------|--------------------------------|---------------------|----------------|--|
| EXTERNAL 4 BAY<br>HARDWARE RAID | Quick Setup    | Create One RAID     | RAID 0 / RAID 5                | Select Disk         |                |  |
|                                 |                | Delete All RAID     |                                |                     |                |  |
|                                 | Disk Manager   | Identify Disk       |                                | Disk 1              | Check Disk LED |  |
|                                 |                |                     |                                | Disk 2              | Check Disk LED |  |
|                                 |                |                     |                                | Disk 3              | Check Disk LED |  |
|                                 |                |                     |                                | Disk 4              | Check Disk LED |  |
|                                 |                | Show Disk Info      | < Disk Info >                  |                     |                |  |
|                                 | RAID Manager   | Identify RAID       | Select RAID                    |                     |                |  |
|                                 |                | Create RAID         | RAID 0 / RAID 5                | Select Disk         |                |  |
|                                 |                | Delete RAID         | Select RAID                    |                     |                |  |
|                                 |                | RAID Info           |                                |                     |                |  |
|                                 |                | Change RAID Pwd     | < Password > for RAID setup    |                     |                |  |
|                                 |                | Rebuilding Priority | Highest/High/Medium/Low/Lowest |                     |                |  |
|                                 |                | Standby Timer       | < 99999min >                   |                     |                |  |
|                                 | System Manager | System Info         | Firmware Version               |                     |                |  |
|                                 |                | Change Password     | < Password > for System Info   |                     |                |  |
|                                 |                | Logout From Menu    | < Y or N >                     |                     |                |  |
|                                 |                | Alarm Control       | Mute the Buzzer                |                     |                |  |
|                                 |                | Hardware Monitor    | Voltage Monitor                | < 3.3V / 5V / 12V > |                |  |
|                                 |                |                     | Temp. Monitor                  | < Temp. >           |                |  |
|                                 | FAN Monitor    |                     | <Fan Speed/Fan Level>          |                     |                |  |

## 6. 故障硬碟更換步驟及資料重建功能說明

- 步驟1 取出故障硬碟所存放的抽取盒，再將硬碟從抽取盒上拆解下。
- 步驟2 將新的硬碟安裝至抽取盒後，再將新硬碟的抽取盒插回 SR4-WBS3+ 空的硬碟槽位置並將抽取盒門鎖上，確認硬碟已完全插入。
- 步驟3 RAID 5 模式下，將電源打開時，您將會看到所更換的新硬碟抽取盒旁的指示燈號呈現閃爍紅藍燈的狀態表示更換上的硬碟資料正在進行重建；此時，您仍可正常使用 SR4-WBS3+ 工作；待資料重建指示燈號停止，即代表資料重建完成。
- RAID 0 模式下，因單顆硬碟故障所造成所有資料損毀，更換新硬碟後，請重新將系統內的硬碟格式化。

## 7. 系統過熱與風扇故障狀況排除

SOHORAID SR4-WBS3+ 內建故障警示功能，若 SR4-WBS3+ 內部溫度超過 60°C、SR4-WBS3+風扇發生故障時，SR4-WBS3+ 內建的蜂鳴器會發出警告聲響，前面板的紅色警示燈號也會亮起；此時你可選按系統背面的靜音按鈕，先將警示聲關閉，並在允許的狀況下關閉 SR4-WBS3+ 電源讓機器降溫；同時，請先確認機體擺放環境是否通風良好，沒有任何物體擋住風扇孔，一併檢查 SR4-WBS3+ 的風扇是否停止運轉；待上述檢查確認後，再將電源開啟繼續使用本系統。若問題還是無法獲得解決，請與此產品供應商或 STARDOM 連絡，以便取得進一步的支援。

## 8. 指示燈燈號說明

| States     | Front LED |           |  | buzzer                       |
|------------|-----------|-----------|--|------------------------------|
|            | Power LED | Alarm LED | HDD LED  |                              |
| Power on   | Blue      | -----     | Blue flash -> Blue   | 1 long when booting finished |
| No disk    | Blue      | -----     | -----  | -----                        |
| Disk Fail  | Blue      | -----     | Red  | -----                        |
| RAID Fail  | Blue      | -----     | Red  | 4 short                      |
| Disk Idle  | Blue      | -----     | Blue   | -----                        |
| Format     | Blue      | -----     | Blue flash   | -----                        |
| Access     | Blue      | -----     | Blue flash   | -----                        |
| Fan Fail   | Blue      | Red       | Blue   | 4 short                      |
| Over Temp  | Blue      | Red       | Blue   | 4 short                      |
| Rebuilding | Blue      | -----     | Source: Blue flash<br>Target: Blue and Purple light on alternatively | -----                        |

## 9. 常見問題

### Q1. 我應該選擇何種資料模式來格式化 SR4 系列產品內的硬碟？

A：這將取決於您平常所使用的電腦系統,關於此點我們有以下建議：

1. Windows 2000/XP/Vista/windows 7 使用 NTFS
2. Mac OS X 使用 HFS+ ( Mac OS Extended )
3. 如必須同時使用於 PC 或 Mac,請使用 FAT32 ( 單一檔案的最大限制是 4GB )

### Q2. 為什麼我所購買的 SR4-WBS3+ 透過 e-SATA 介面無法達到網站上所公佈的 200MB/s 以上的傳輸速度？

- A：1. 請先檢查您所購置的 PCI-E SATA 擴充卡是否僅支援 PCI-E (1X),此類擴充卡無法達到 135MB/s 以上的傳輸速度。
2. 建議您搭配選購 STARDOM SJ20-x8 ( PCI-E 8X )傳輸卡來讓 電腦在使用e-SATA 時的傳輸速度達到最佳化。
  3. SR4-WBS3+ 儲存模式必須設定為 RAID 0 或 RAID 5 模式。



## このマニュアルについて

この度はSTARDOM製品をお買い上げいただき、ありがとうございます。

当マニュアルは、STARDOM製品SOHORAID SR4について説明をしております。お買い上げの製品をご利用になる前に、当マニュアルをよくお読みください。当ユーザーマニュアルの記載内容は、出版前に十分チェックを行っておりますが、実際の製品仕様はSTARDOMから出荷される製品を基本とします。製品仕様の更新や関連情報は[www.stardom.com.tw](http://www.stardom.com.tw)に掲載されます。製品は予告なしに変更される場合があります。STARDOM製品に関するご質問、最新の製品情報、ユーザーマニュアルやファームウェアのアップデートに関しては、現地の販売代理店にお尋ねになるか、[www.stardom.com.tw](http://www.stardom.com.tw)をご参照ください。

© RAIDON TECHNOLOGY, INC。全権留保。

## 目次

1. パッケージ内容と製品図について
2. 動作環境
3. ハードドライブの要件と注意
4. ハードウェアの取り付け方法
5. 前面パネルの操作およびLCD情報についての説明
6. 故障したドライブの交換とデータ再構築の説明
7. システム過熱とファン故障の管理
8. 状態インジケータの説明
9. よくあるお問い合わせ

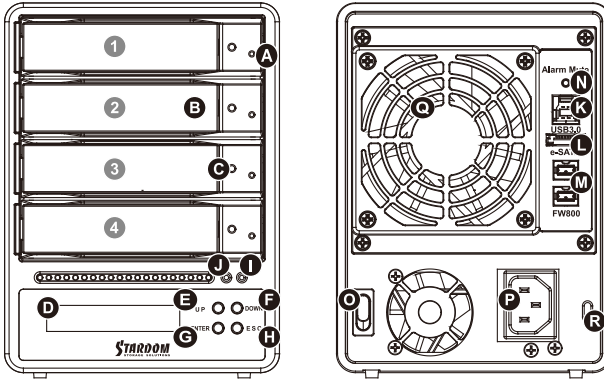
### 1. パッケージ内容と製品図について

パッケージを開けると、以下の項目が入っています：

|                                    |
|------------------------------------|
| SR4-WBS3+                          |
| SR4-WBS3+ x 1 (リムーバルディスクトレイ x 4内蔵) |
| FireWire 800 (1394b)ケーブル x 1       |
| eSATAケーブル x 1                      |
| USB 3.0ケーブル x 1                    |
| 電源コード x 1                          |
| アクセサリキット                           |
| SR4-WBS3+ユーザーマニュアル                 |

上記一覧の内容に欠品等が無いかご確認ください。欠品をしている場合は、すぐに販売代理店までご連絡下さい。

## 前面と背面図



- A. ハードドライブ状態インジケータ    B. リムーバブルドライブトレイ    C. 鍵挿入口  
 D. LCDディスプレイパネル  
 E. UP ボタン    F. DOWN ボタン    G. ENTER ボタン    H. ESC ボタン  
 I. 電源インジケータ    J. アラーム インジケータ  
 K. USB 3.0インタフェース接続    L. e-SATAインタフェース接続  
 M. FireWire 800 (1394b)インタフェース接続  
 N. ミュート ボタン    O. 電源スイッチ    P. 電源ソケット    Q. 冷却ファン  
 R. 防犯コードスロット

## ドライブ位置

ドライブ位置 1                      ドライブ位置 2                      ドライブ位置 3                      ドライブ位置 4

## ストレージモードの定義

独立モード (JBOD) : 4 つのディスクリットストレージ容量。

セーフモード (RAID 5) : データ保護機能付きの大容量ストレージ。

スピードモード (RAID 0) : データパリティを含まない、より高速のデータアクセスが可能な 1 つの大型ディスクリーとストレージ容量。

セカンダリ FireWire 800 (1394b) 接続は、他の Firewire 800 (1394b) デバイスの接続に使用されます。

この製品には、低ノイズのスイッチング電源を使用しています。内蔵のファンは、総電力消費量は、フルロードの 50% 以下の中には、一時的に停止します。

## 2. 動作環境

動作温度 : 0 ~ 40 °C (32 ~ 104 °F)

保存温度 : -10 ~ 70 °C (14 ~ 158 °F)

電源電圧 : 100 ~ 240V AC

### 3. ハードドライブの要件と注意

1. コンピュータシステム毎に対して、一本のインタフェース接続のみ使用することができます。
2. RAIDボリュームの構造は最小容量のハードディスクを利用し、そして大きなボリュームに組み合わせるように、RAID 5の場合ではその容量に3を掛け、RAID 0の場合では4を掛けますので、ご使用する前には同じブランドと仕様のハードドライブのみを取り付けることをお勧めします。新しいハードドライブを交換する必要がある場合、同じ仕様、容量とブランドの製品を購入することを確認してください。以上の条件を合わせるできない場合、最小でも20 GB以上の容量を選択してください。
3. ドライブのフォーマット後、システムが認識したSR4-WBS3+の実際ストレージ容量はハードドライブに表示された容量の総計と異なる場合があります。
4. コンピュータ本体に接続されている状態で、データ転送中のハードディスクドライブの削除、追加、交換は絶対行わないでください。
5. ドライブ位置の変更はRAID構造を破壊する場合がありますので、初期インストールを完成した後、ドライブ位置の変更は禁止です。
6. ハードドライブが故障した場合、セクション6の「故障ドライブの交換とデータの再構築」を参照して処理ステップに従ってください。
7. SR4-WBS3+をオフにしたり、コンピュータシステムから取り外す場合は、必ずオペレーティングシステムから安全な取り外しを行ってからにしてください。
8. RAID 5モードでは、システムは1台のシングルハードドライブの故障に対応できます。複数のドライブが同時に故障した場合、システム内に保存されたデータがすべて破壊され、失われた可能性があります。RAID 0モードでは、ハードドライブが故障した場合、データがすべて破壊され、失われた可能性があります。以上の状況が発生した場合、データが回復可能かどうかは、ハードディスクドライブ復元の専門業者にお問い合わせになるようお勧めします。
9. SR4-WBS3+本体に含まれる重要なデータは、定期的または必要に応じて、リモートまたは別のストレージ装置にバックアップすることを強くお勧めします。Stardomは本体の使用の際に生じたいかなるデータの損失および損失データの復旧に対して責任を負いかねます。

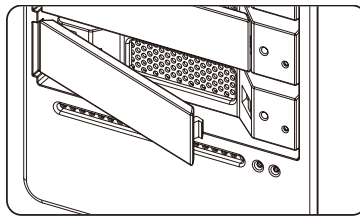
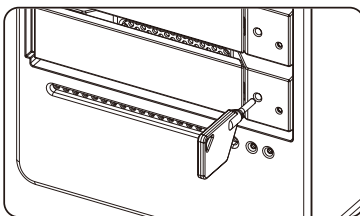
### 4. ハードウェアの取り付け方法

以下の手順に従って、ハードウェアの取り付けを完了してください：

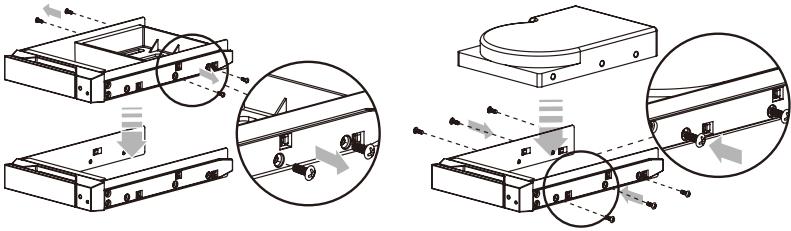
ステップ1 パッケージを開き、内容物の損傷や欠品がないことを確認しながら製品を取り出します。損傷または欠品している場合は、すぐ販売店に連絡を取ってください。

ステップ2 デバイスは、平らな場所に設置し、通気口を塞がずに良好な通気を確保し、水のそばや製品の損傷を引き起こす可能性のある場所から離れていることを確かめます。

ステップ3 アクセサリー キット付属のキーを鍵挿入口に差し込んで、リムーバブルドライブトレイラッチを取り出し、リムーバブルドライブトレイを引き出します。



ステップ4 リムーバブルトレイからドライブスタイビライザーを取り出します。使用するハード ドライブをトレイに装着し、アクセサリキット付属のねじで固定します。



ステップ5 完了したら、ドライブトレイをドライブに戻し、ラッチをはめます。

ステップ6 AC 電源ケーブルを SR4-WBS3+ に接続してから、AC 電源を壁のコンセントに接続します。ユニットを起動します。

ステップ7 LCD と正面のボタンを使用してストレージモードを設定します（正面パネルと LCD に関する情報はセクション 5 を参照してください）。

ステップ8 PC と SR4-WBS3+ のポートをケーブルで接続します。

ステップ9 起動後、オペレーティングシステムが自動的にハードドライブのストレージ容量を検出します。 、オペレーティングシステムの指示に従いドライブを構成し、フォーマットしてください。フォーマット後のデバイスは RAID セットアップの構成が可能です。

## 5. 前面パネルの操作およびLCD情報についての説明

| Level 0                         | Level 1                   | Level 2             | Level 3                        | Level 4         |                     |  |
|---------------------------------|---------------------------|---------------------|--------------------------------|-----------------|---------------------|--|
| EXTERNAL 4 BAY<br>HARDWARE RAID | Quick Setup               | Create One RAID     | RAID 0 / RAID 5                | Select Disk     |                     |  |
|                                 |                           | Delete All RAID     |                                |                 |                     |  |
|                                 | Disk Manager              | Identify Disk       |                                | Disk 1          | Check Disk LED      |  |
|                                 |                           |                     |                                | Disk 2          | Check Disk LED      |  |
|                                 |                           |                     |                                | Disk 3          | Check Disk LED      |  |
|                                 |                           |                     |                                | Disk 4          | Check Disk LED      |  |
|                                 |                           | Show Disk Info      | < Disk Info >                  |                 |                     |  |
|                                 | RAID Manager              | Identify RAID       | Select RAID                    |                 |                     |  |
|                                 |                           | Create RAID         | RAID 0 / RAID 5                | Select Disk     |                     |  |
|                                 |                           | Delete RAID         | Select RAID                    |                 |                     |  |
|                                 |                           | RAID Info           |                                |                 |                     |  |
|                                 |                           | Change RAID Pwd     | < Password > for RAID setup    |                 |                     |  |
|                                 |                           | Rebuilding Priority | Highest/High/Medium/Low/Lowest |                 |                     |  |
|                                 | Standby Timer             | < 99999min >        |                                |                 |                     |  |
|                                 | System Manager            | System Info         | Firmware Version               |                 |                     |  |
|                                 |                           | Change Password     | < Password > for System Info   |                 |                     |  |
|                                 |                           | Logout From Menu    | < Y or N >                     |                 |                     |  |
|                                 |                           | Alarm Control       | Alarm Control                  | Mute the Buzzer |                     |  |
|                                 |                           |                     | Hardware Monitor               | Voltage Monitor | < 3.3V / 5V / 12V > |  |
|                                 |                           |                     |                                | Temp. Monitor   | < Temp. >           |  |
| FAN Monitor                     | < Fan Speed / Fan Level > |                     |                                |                 |                     |  |

## 6. 故障したドライブの交換とデータ再構築の説明

ハードドライブインジケータが赤色に点灯し、音声アラームが鳴る場合、ハードドライブが故障した可能性があります。この状況では、システム背面のミュートボタンを押してアラーム音を切ります。まだ操作可能な状態であれば、すぐシステムの電源を切ってください。そして電源を入れ直して、ハードドライブが故障するかどうかを再確認してください。同じ状況が続いて発生した場合、以下の支持に従ってください。

ステップ 1 故障したハードドライブのドライブトレイを取り外し、ドライブトレイからハードドライブを取り外します。

ステップ 2 新しいハードドライブをトレイに固定し、SR4-WBS3+上の空きドライブ位置に挿入して戻し、そしてラッチを押してドライブが固定でロックであることを確かめてください。

ステップ 3 RAID 5モードでは、システムをオンする場合、交換ドライブのハードドライブの状態インジケータが赤色と紫色に点滅し、交換ドライブにデータが再構築中のことを通知します。データの再構築中に、SR4-WBS3+は通常の通りに操作することができます。インジケータの表示が停止した場合、データの再構築が完成しました。RAID 0モードでは、ハードドライブ故障によりすべてのデータが破壊され、失われたため、ドライブを再度フォーマットする必要があります。

## 7. システム過熱とファン故障の管理

アラームインジケータが赤く点灯し、アラーム音が鳴る場合、本体のファンが、完全に作動するのを止めたか、またはシステム温度がデフォルトの60°Cを超えたことを表示する可能性があります。この場合、本体後部のミュートボタンを押してアラームを切ります。システムを冷却するために、本体がまだ操作可能な状態であれば、すぐ本体の電源を切ってください。全体運転環境の通風性がよく、内蔵ファンには障害物がないことを確認し、システムの電源を入れ直して使用してください。問題が続く場合、システムをオフにし、サプライヤーまたはSTARDOM技術サポートにお問い合わせして支援を求めてください。

## 8. 状態インジケータの説明

| States     | Front LED |           |  | buzzer                       |
|------------|-----------|-----------|--|------------------------------|
|            | Power LED | Alarm LED | HDD LED  |                              |
| Power on   | Blue      | -----     | Blue flash -> Blue   | 1 long when booting finished |
| No disk    | Blue      | -----     | -----  | -----                        |
| Disk Fail  | Blue      | -----     | Red  | -----                        |
| RAID Fail  | Blue      | -----     | Red  | 4 short                      |
| Disk Idle  | Blue      | -----     | Blue   | -----                        |
| Format     | Blue      | -----     | Blue flash   | -----                        |
| Access     | Blue      | -----     | Blue flash   | -----                        |
| Fan Fail   | Blue      | Red       | Blue   | 4 short                      |
| Over Temp  | Blue      | Red       | Blue   | 4 short                      |
| Rebuilding | Blue      | -----     | Source: Blue flash<br>Target: Blue and Purple light on alternatively | -----                        |

## 9. よくあるお問い合わせ

**Q1. SR4-WBS3+内のハードドライブをフォーマットする時、どんなドライブフォーマットを選択しますか？**

A: これはご使用のオペレーティングシステムによります。以下のお勧めをご参照ください：

1. Windows 2000/XP/Vista/Windows 7ではNTFSフォーマットを使用してください。
2. Mac OS XシステムではHFS+ (Mac OS Extended)フォーマットを使用してください。
3. SR4-WBS3+をWindowsとMac環境の双方に併用させる場合はFAT32フォーマットを選択してください(単一ファイルの最大容量は4 GBを超えてはいけません)。

**Q2. SR4-WBS3+の転送速度が貴社Webサイトで開示されていたe-SATAインタフェース経由時の200 MB/秒に達することができないのはなぜですか？**

- A: 1. ご使用になられているPCI-E SATAホストアダプタがPCI-E (1X)のみのサポートかどうかをご確認ください。このタイプのホストアダプタの転送速度は140 MB/秒を超えることができません。
2. e-SATA接続時に転送パフォーマンスを強化させたい場合は、STARDOM SJ20-8x (PCI-E8X)ホストアダプタを購入することをお勧めします。

## 이 설명서에 관하여

STARDOM 제품을 구매해 주셔서 감사합니다.

이 사용 설명서는 STARDOM SOHORAID SR4 제품을 소개합니다. 이 제품을 사용하기 전에, 이 설명서를 완전히 읽어 주십시오.

이 사용 설명서에 포함된 모든 정보는 출시 전 신중히 검증되었지만 실제 제품 스펙은 STARDOM으로부터 배송되는 시점을 기반으로 합니다. 제품 스펙의 업데이트 또는 관련 정보는 [www.stardom.com.tw](http://www.stardom.com.tw)에서 찾을 수 있습니다. 제품은 사전 통지없이 변경될 수 있습니다. STARDOM의 제품에 대하여 질문사항이 있으시거나 최신 제품에 대한 정보, 사용자 매뉴얼 또는 펌웨어 업데이트 등에 대하여 알고 싶으시다면 지역 판매자에게 연락하거나 [www.stardom.com.tw](http://www.stardom.com.tw)을 방문하여 더 많은 정보를 얻으실 수 있습니다.

저작권© RAIDON TECHNOLOGY, INC. 모든 권리를 보유함.

## 목차

1. 포장 내용 및 제품 보기
2. 환경 요구 사양
3. 하드웨어 요구사항 및 사전 주의사항
4. 하드웨어 설치
5. 전면 패널 작동 설명 및 LCD 정보
6. 고장난 드라이브 교체 또는 데이터 재구축 설명
7. 시스템 온도 과열 및 팬 오류 관리
8. 상태 표시등 설명
9. 자주 묻는 질문

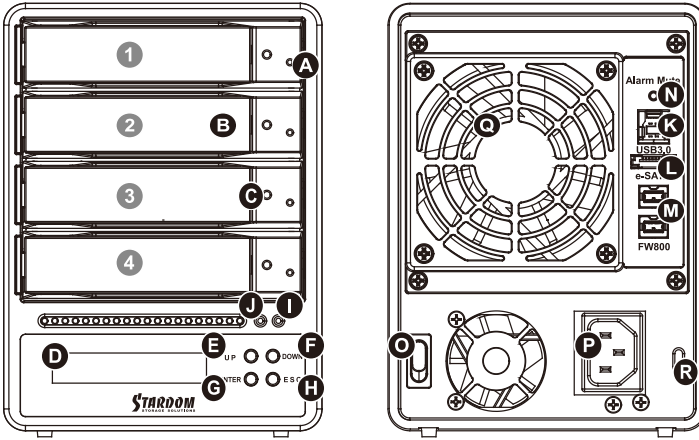
### 1. 포장 내용 및 제품 보기

포장을 열면 다음과 같은 내용물이 보입니다 :

| SR4-WBS3+                              |
|--|
| SR4-WBS3+ x 1<br>이동식 드라이브 트레이x 4개가 넣어진 |
| FireWire 800 (1394b) 케이블 x 1           |
| eSATA 케이블 x 1                          |
| USB 3.0 케이블 x 1                        |
| 파워코드 x 1                               |
| 부속품 키트                                 |
| 사용 설명서                                 |

상기 목록 안의 부품들이 손상 또는 손실되지 않았는지 확인하십시오. 손상 또는 손실된 내용물이 있으면, 판매상에게 즉시 연락하십시오.

전면도 및 후면도



- A. 하드 드라이브 상태 표시등
- B. 휴대형 드라이브 트레이
- C. 키 꽃이 구멍
- D. LCD 디스플레이 패널
- E. UP 버튼
- F. DOWN 버튼
- G. ENTER 버튼
- H. ESC 버튼
- I. 전원 표시등
- J. 경고 표시등
- K. USB 3.0 인터페이스 커넥션
- L. e-SATA 인터페이스 커넥션
- M. FireWire 800 인터페이스 커넥션
- N. 소리 멈춤 버튼
- O. 전원 스위치
- P. 전원 소켓
- Q. 냉각 팬
- R. 도난 방지 슬롯

드라이브 위치

드라이브 위치 1                  드라이브 위치 2                  드라이브 위치 3                  드라이브 위치 4

스토리지 모드 정의

독립 모드 ( JBOD ) : 4 개의 독립적인 저장 용량.

안전 모드 ( RAID 5 ) : 데이터 패리티가 있는 하나의 독립적인 저장 용량.

고속 모드 ( RAID 0 ) : 데이터 액세스 속도는 빠르지만 데이터 패리티가 없는 하나의 독립적인 대량의 저장 용량.

SR4-WBS3+의 세컨더리 FireWire 800 (1394b) 커넥션은 다른 FireWire 800 (1394b) 장치에 연결하고 확장하기 위해 제공됩니다.

이 제품은 저잡음 스위칭 전원 공급 장치를 사용합니다. 내장 된 팬은 총 소비 전력이 전체 부하의 50% 미만 인 동안 일시적으로 정지합니다.

**2. 환경 요구 사양**

- 작동 온도 : 0 ~ 40 °C (32 ~ 104 °F)
- 보관 온도 : -10 ~ 70 °C (14 ~ 158 °F)
- 라인 전압 : 100 ~ 240V AC



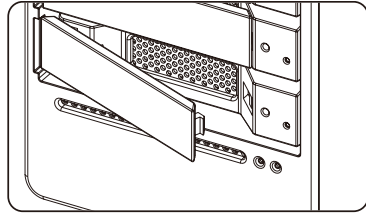
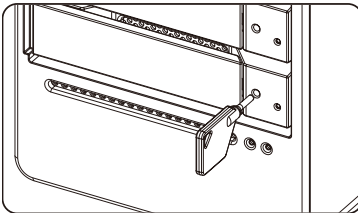
### 3. 하드웨어 요구사항 및 사전 주의사항

1. 컴퓨터 시스템 당 한 번에 한 인터페이스 커넥션만을 사용해야 합니다.
2. RAID 볼륨 구조는 가장 작은 하드 드라이브의 용량을 이용한 후 큰 볼륨을 만들기 위해 RAID 5는 용량의 3을, RAID 0은 4를 곱하기 때문에 사용하기 전 드라이브 포지션에 같은 브랜드와 스펙의 하드 드라이브를 설치할 것을 권장합니다. 그리고 새 하드 드라이브로 교체가 필요할 때 같은 스펙, 용량, 브랜드의 제품을 구매하기 바랍니다. 만약 요건이 충족되지 힘들다면, 적어도 20 GB 더 큰 제품을 선택하십시오.
3. 시스템에서 인식하는 SR4-WBS3+ 실제 저장 용량은 하드 드라이브들이 포맷되면 하드 드라이브에 공표된 전체 용량과 다를 수 있습니다.
4. 컴퓨터 시스템에 연결된 경우, 데이터가 전송되고 있을 때는 하드 드라이브를 제거, 삽입 또는 교환하면 안됩니다.
5. 한번 초기 설치가 완료되면 드라이브 위치 변경은 RAID구조를 훼손시킬 수도 있기 때문에 드라이브 위치 변경은 금지되어 있습니다.
6. 만약 하드 드라이브 고장이 발생하면, 섹션 6 “고장난 드라이브 교체 또는 데이터 복구 설명”으로 가 단계를 적절히 따라 주십시오.
7. SR4-WBS3+의 전원을 끄거나 컴퓨터와 연결을 끊을 때는 항상 운영체제(OS)에서 시스템을 먼저 안전하게 제거해야 하는 것에 유의하십시오.
8. RAID 5 모드에서는 시스템은 하나의 드라이브만 문제가 발생할 수 있도록 합니다. 만약 복수의 드라이브에 동시에 문제가 발생한다면 시스템에 보관된 데이터들이 훼손되었거나 분실될 것일 수 있습니다. RAID 0 모드에서 하나의 드라이브에 고장이 발생한다면 모든 데이터는 훼손되거나 분실되었을 수도 있습니다. 만약 이런일이 발생한다면 하드 드라이브 데이터 복구 전문가를 방문하여 데이터 복구 가능성에 대해 상담하기를 권장합니다.
9. SR4-WBS3+ 장치에 포함된 중요한 데이터는 정기적으로 백업하거나, 또는 사용자가 필요할 때 원격 또는 분리형 스토리지 장치에 백업을 해놓으십시오. Stardom은 장치의 사용 또는 손실된 데이터 복구하는 중에 발생한 어떠한 데이터 손실에 대해서도 책임을 지지 않습니다.

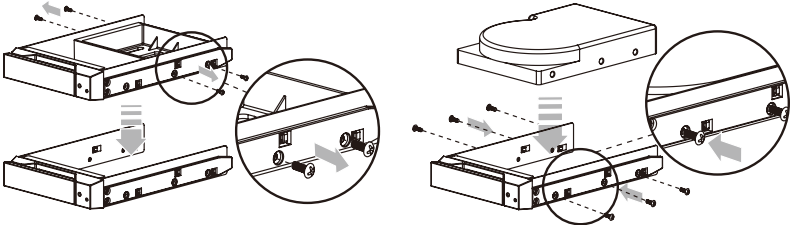
### 4. 하드웨어 설치

아래 지침에 따라 하드웨어 설치를 완성하십시오 :

- 단계1 포장을 열고 제품을 꺼내 동봉된 모든 내용물이 손상되거나 분실되지 않았는지 확인하십시오. 내용물에 손상이 있거나 분실된 경우, 즉시 공급업체에 문의하십시오.
- 단계2 장치를 평편하고 통풍구가 막힘이 없이 통풍이 잘 되는 곳에 놓으시고, 습기 근처 또는 손상되기 쉬운 장소 근처를 피하십시오.
- 단계3 액세서리 키트에 제공된 키를 키 삽입구에 넣으면 이동식 드라이브 트레이 래치 가 열립니다. 이동식 드라이브 트레이를 빼내십시오.



단계4 드라이브 안정대를 탈착식 트레이로부터 제거하십시오. 하드 드라이브를 트레이 에 장착한 후 액세서리 키트에 제공된 나사를 이용하여 안전하게 고정시킵니다.



단계5 완성되었으면 드라이브 트레이를 드라이브 포지션 A에 다시 삽입한 후 래치(걸쇠)를 밀어 넣습니다.

단계6 AC 전원 케이블을 SR4-WBS3+에 연결한 다음, AC 전원을 벽 콘센트에 꽂습니다. 장치를 부팅합니다.

단계7 앞 패널에 있는 버튼과 LCD를 사용하여 스토리지 모드를 설정합니다(앞 패널 및 LCD에 대한 내용은 5 섹션을 참조하십시오).

단계8 케이블을 PC와 SR4-WBS3+ 포트에 연결합니다.

단계9 부팅이 완료되면 운영 체제가 하드 드라이브의 저장 용량을 자동으로 검색합니다. 운영 체제의 지시에 따라 드라이브를 구성하고 포맷하십시오. 포맷된 드라이브를 RAID 설정으로 구성할 수 있습니다.

## 5. 전면 패널 작동 설명 및 LCD 정보

|                                 | Level 0 | Level 1             | Level 2                        | Level 3                      | Level 4             |
|---------------------------------|---------|---------------------|--------------------------------|------------------------------|---------------------|
| EXTERNAL 4 BAY<br>HARDWARE RAID |         | Quick Setup         | Create One RAID                | RAID 0 / RAID 5              | Select Disk         |
|                                 |         |                     | Delete All RAID                |                              |                     |
|                                 |         | Disk Manager        | Identify Disk                  | Disk 1                       | Check Disk LED      |
|                                 |         |                     |                                | Disk 2                       | Check Disk LED      |
|                                 |         |                     |                                | Disk 3                       | Check Disk LED      |
|                                 |         |                     |                                | Disk 4                       | Check Disk LED      |
|                                 |         |                     | Show Disk Info                 | < Disk Info >                |                     |
|                                 |         | RAID Manager        | Identify RAID                  | Select RAID                  |                     |
|                                 |         |                     | Create RAID                    | RAID 0 / RAID 5              | Select Disk         |
|                                 |         |                     | Delete RAID                    | Select RAID                  |                     |
|                                 |         |                     | RAID Info                      |                              |                     |
|                                 |         |                     | Change RAID Pwd                | < Password > for RAID setup  |                     |
|                                 |         | Rebuilding Priority | Highest/High/Medium/Low/Lowest |                              |                     |
|                                 |         | Standby Timer       | < 99999min >                   |                              |                     |
|                                 |         | System Manager      | System Info                    | Firmware Version             |                     |
|                                 |         |                     | Change Password                | < Password > for System Info |                     |
|                                 |         |                     | Logout From Menu               | < Y or N >                   |                     |
|                                 |         |                     | Alarm Control                  | Mute the Buzzer              |                     |
|                                 |         |                     | Hardware Monitor               | Voltage Monitor              | < 3.3V / 5V / 12V > |
|                                 |         | Temp. Monitor       |                                | < Temp. >                    |                     |
|                                 |         | FAN Monitor         |                                | <Fan Speed/Fan Level>        |                     |

## 6. 고장난 드라이브 교체 또는 데이터 재구축 설명

- 단계1 고장난 하드 드라이브를 담고있는 드라이브 트레이를 제거하고 하드 드라이브를트레이로부터 분리합니다.
- 단계2 새 하드 드라이브를 트레이에 장착하고 SR4-WBS3+의 빈 드라이브 포지션에 다시 삽입한 후 래치(걸쇠)를 밀어넣고 안전하게 잠겨졌는지 확인합니다.
- 단계3 RAID 5 모드에서 시스템을 켜고 있을 때 데이터가 교체 드라이브로 재구축 되는것을알리기 위해 교체 드라이브의 하드 드라이브 상태 표시등이 빨간색에서 자주색으로 바뀌며 깜빡입니다. 재구축 되는 동안 SR4-WBS3+를 보통 상태처럼 사용할 수있습니다. 표시등이 멈추면 데이터 재구축 과정이 완료된 것입니다.
- RAID 0 모드에서는 하드 드라이브 고장에 의해 모든 데이터가 훼손되거나 분실되었기 때문에 드라이브들을 다시 포맷하여야 합니다.

## 7. 시스템 온도 과열 및 팬 오류 관리

뒷면의 경고 표시등에 빨간 불이 반짝이고 소리 경보가 울리면, 시스템 팬이 완전히 작동을멈추었거나, 시스템 온도가 기본설정 온도 60°C를 초과한 것입니다. 이러한 상황이 발생하면, 시스템 뒷면에 있는 소리 멈춤 버튼을 눌러 소리 경보를 끈 다음 작동이 허용된다면 시스템 온도를 낮추기 위해 즉시 시스템 전원을 끄십시오. 전체 작동 환경의 환기가 잘 되는지, 팬에 이물질이 없는지 확인한 후 시스템을 다시 시작하여 계속 사용합니다. 문제가 계속되면 시스템 전원을 끄고, 도움을 위해 공급업체 또는 STARDOM 기술지원에 문의하십시오.

## 8. 상태 표시등 설명

| States     | Front LED |           |  | buzzer                       |
|------------|-----------|-----------|--|------------------------------|
|            | Power LED | Alarm LED | HDD LED  |                              |
| Power on   | Blue      | -----     | Blue flash -> Blue   | 1 long when booting finished |
| No disk    | Blue      | -----     | -----  | -----                        |
| Disk Fail  | Blue      | -----     | Red  | -----                        |
| RAID Fail  | Blue      | -----     | Red  | 4 short                      |
| Disk Idle  | Blue      | -----     | Blue   | -----                        |
| Format     | Blue      | -----     | Blue flash   | -----                        |
| Access     | Blue      | -----     | Blue flash   | -----                        |
| Fan Fail   | Blue      | Red       | Blue   | 4 short                      |
| Over Temp  | Blue      | Red       | Blue   | 4 short                      |
| Rebuilding | Blue      | -----     | Source: Blue flash<br>Target: Blue and Purple light on alternatively | -----                        |

## 9. 자주 묻는 질문

**Q1. SR4-WBS3+ 안의 하드 드라이브를 포맷하기 위해 어느 드라이브 포맷을 선택해야 합니까?**

A: 사용자가 가장 자주 사용하는 컴퓨터 시스템에 의해 결정됩니다. 아래의 제안을 참조:

1. Windows 2000/XP/Vista/Windows 7 시스템에는 NTFS를 사용.
2. Mac OS X 시스템에는 HFS+ (Mac OS Extended) 포맷을 사용.
3. SR4-WBS3+을 Windows와 Mac 환경 모두에서 사용한다면, FAT32 포맷을 선택합니다.(파일 한 개의 최대 크기는 4GB를 초과못함)

**Q2. 왜 제 SR4-WBS3+는 웹사이트에 공표된 것처럼 e-SATA 인터페이스를 통하여 200MB/sec 이상의 높은 전송 실행속도에 미치지 못하나요?**

- A: 1. 먼저, 사용자의 PCI-E SATA 호스트 어댑터가 오직 PCI-E (1X)만을 지원하는 지 확인하십시오. 이러한 타입의 호스트 어댑터는 140 MB/s 이상의 전송 실행 속도에도달할 수 없습니다.
2. e-SATA를 통해 전송 속도를 높이려면, STARDOM SJ20-8x (PCI-E 8X) 호스트 어댑터를 구매하시기 바랍니다.

## 关于这份手册

感谢您使用 STARDOM 的产品。本手册将介绍 STARDOM SR4 产品。在您开始使用 SOHORAID SR4 系列产品前，建议您先阅读过本手册。手册里的资讯在出版前虽已被详细确认，实际产品规格仍将以出货时为准；任何产品规格或相关资讯更新请您直接到 [www.stardom.com.tw](http://www.stardom.com.tw) 网站查询，本公司将不另行通知。若您想获得STARDOM 最新产品讯息、使用手册、韧体,或对STARDOM 产品有任何疑问，请您联络当地供应商或到 [www.stardom.com.tw](http://www.stardom.com.tw) 取得相关讯息。

本手册相关产品内容归锐铍科技股份有限公司版权所有

## 目录索引

1. 产品外观及包装内容
2. 环境需求
3. 硬件需求与注意事项
4. 硬件安装
5. 前面板操作及LCD 讯息说明
6. 故障硬盘更换步骤及资料重建功能说明
7. 系统过热及风扇故障状况排除
8. 指示灯号说明
9. 常见问题

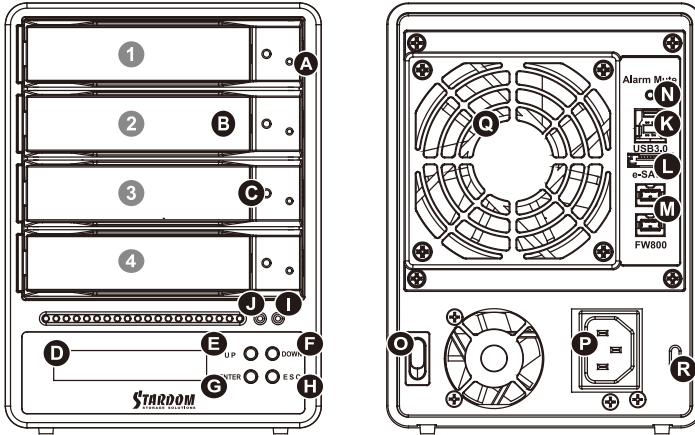
### 1. 产品外观及包装内容

打开包装外盒后，包装内容应包含下列组件：

| SR4-WBS3+                      |
|--------------------------------|
| SR4-WBS3+ 产品本体 x 1 (内含抽取盒 x 4) |
| Firewire 800 (1394b) 连接线 x 1   |
| eSATA 连接线 x 1                  |
| USB 3.0 连接线 x 1                |
| 电源线 x 1                        |
| 零件包                            |
| 操作使用手册                         |

请确认相关配件与产品本身是否有受损或配件缺少，若有任何疑问请与本产品供应商联络。

## 正面与背面示意图



- |               |               |                             |            |
|---------------|---------------|-----------------------------|------------|
| A. 硬盘状态指示灯    | B. 硬盘抽取盒      | C. 钥匙孔                      | D. LCM 显示幕 |
| E. UP 按键      | F. DOWN 按键    | G. ENTER 按键                 | H. ESC 按键  |
| I. 电源指示灯      | J. 系统警示灯      |                             |            |
| K. USB3.0 连接埠 | L. e-SATA 连接埠 | M. FireWire 800 (1394b) 连接埠 |            |
| N. 静音按钮       | O. 电源开关       | P. 电源插座                     | Q. 风扇      |
| R. 防窃锁孔       |               |                             |            |

## 硬盘位置

硬盘位置 1      硬盘位置 2      硬盘位置 3      硬盘位置 4

## 储存模式模式解说

Independent mode ( JBOD ) : 四个独立资料储存容量。

Safe mode ( Raid 5 ) : 一个独立资料储存容量并包含资料保护功能。

Speed mode ( Raid 0 ) : 一个大的独立资料储存容量并可加速资料存取但无资料保护功能。

SR4-WBS3+ 机型提供两组FireWire 800 (1394b) 介面，方便您串接与延伸至另1组FireWire 800 (1394b) 装置。

本产品是采用低噪音的电源供应器，当通电时的负载未达 50%，电源供应器的风扇会暂停转动。

## 2. 环境需求

工作温度 : 0 ~ 40 °C (32 ~ 104 °F)

储存温度 : -10 ~ 70 °C (14 ~ 158 °F)

工作电压 : 100 ~ 240V AC

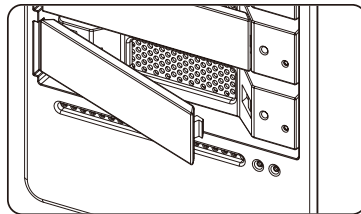
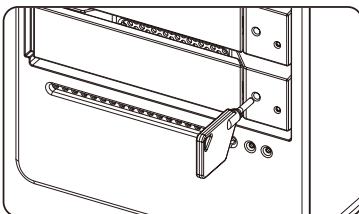
### 3. 硬件需求与注意事项

1. 本系统同一时间只可透过一组介面与一台电脑执行资料传输。
2. RAID 5 的容量形成是将硬盘中最小容量乘上三倍后, RAID 0 乘上四倍, 之后会被视为一个大储存容量; 因此, 用本系统前必须每颗硬盘装置槽都已完成硬盘安装, 并建议全部使用相同品牌与同规格之全新硬盘。同时, 如果需要更换新的硬盘时, 也请您务必购买规格、容量、厂牌相同的硬盘, 若您无法购买到符合上述条件的硬盘时, 请选购容量大于另一硬碟最少20GB。
3. 硬盘格式化后, 由电脑主机作业系统所辨识SR4-WBS3+ 的实际总容量会与硬盘厂所标示的容量加总后, 将有所差异。
4. 当系统运作时, 请勿任意移除任何一颗硬盘, 以免导致资料遗失。
5. 完成系统初始化安装后, 在使用上请勿任意变更硬盘位置; 此动作将可能导致系统无法形成RAID。
6. 当您发现硬盘故障时, 请参考章节6 "硬碟故障排除与硬盘更换步骤说明", 并依照程序进行故障硬盘的更换。
7. 当您需要关闭或移除 SR4-WBS3+ 时, 务必透过您所操作的作业系统中执行硬盘安全移除后, 方进行电源关闭的动作。
8. 在RAID 5 模式下储存系统仅容许单颗硬盘故障。因此, 当您发现二颗以上的硬盘显示故障时, 您先前已存储的资料可能已毁损或遗失; 在RAID 0 模式下, 当您发现一颗以上的硬盘显示故障时, 您先前已存储的资料可能已毁损或遗失。建议您可寻找专业硬盘资料救援服务, 试着将您毁损或遗失的资料重新取回。
9. 强烈建议除了使用 SR4-WBS3+ 系列的资料储存功能外, 请针对重要资料备份到另一个储存装置上或远端备份, 双重备份您重要的资料。若您储存在 SR4-WBS3+ 系列的资料损毁或遗失, STARDOM 将不负任何的责任。

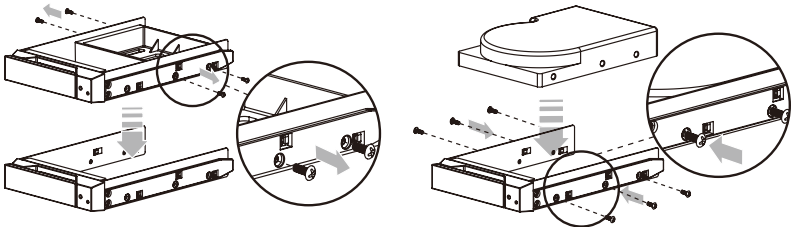
### 4. 硬件安装

请参照以下步骤完成硬件安装

- 步骤1 拆开外包装, 并取出产品主体。(请确认相关配件与产品本身是否有受损或是缺少配件, 若有任何疑问, 请与您的经销商或业务人员联络)
- 步骤2 将系统摆放于稳固平台, 并确认散热风扇口没有被其他物体挡住, 系统四周有适当的散热空间。(摆放环境请避免接近潮湿或其他易对产品造成损伤的环境)
- 步骤3 请使用零件包内附的顶针插入钥匙孔后, 抽取盒门门将会轻弹开启, 即可将硬盘抽取盒取出。



步骤4 将硬盘安装到抽取盒上,并以零件包内附的螺丝加以固定,以避免不必要的移动对硬碟造成伤害。



步骤5 硬盘安装完成后,请将抽取盒平移放入主机内,并关上把手。

步骤6 将AC Power 电源线与SR4-WBS3+ 连接,再将AC Power 电源线与电源插座后,执行开机。

步骤7 透过前方的LCD 与按键来设定您所需求的储存模式。(请参考第5项前面板操及LCD 讯息说明)

步骤8 将附件中的连接线分别接到PC 与SR4-WBS3+ 的相关连接埠。

步骤9 开机后,您的作业系统将会自动辨识到RAID 容量;待辨识成功后,请依据您所需的储存格式,将系统内的硬盘依照作业系统的指示完成格式化。待硬盘格式化完成后,便可直接执行RAID 系统。

## 5. 前面板操作及LCD 讯息说明

| Level 0                         | Level 1        | Level 2             | Level 3                        | Level 4               |                     |  |
|---------------------------------|----------------|---------------------|--------------------------------|-----------------------|---------------------|--|
| EXTERNAL 4 BAY<br>HARDWARE RAID | Quick Setup    | Create One RAID     | RAID 0 / RAID 5                | Select Disk           |                     |  |
|                                 |                | Delete All RAID     |                                |                       |                     |  |
|                                 | Disk Manager   | Identify Disk       |                                | Disk 1                | Check Disk LED      |  |
|                                 |                |                     |                                | Disk 2                | Check Disk LED      |  |
|                                 |                |                     |                                | Disk 3                | Check Disk LED      |  |
|                                 |                |                     |                                | Disk 4                | Check Disk LED      |  |
|                                 |                | Show Disk Info      | < Disk Info >                  |                       |                     |  |
|                                 | RAID Manager   | Identify RAID       | Select RAID                    |                       |                     |  |
|                                 |                | Create RAID         | RAID 0 / RAID 5                | Select Disk           |                     |  |
|                                 |                | Delete RAID         | Select RAID                    |                       |                     |  |
|                                 |                | RAID Info           |                                |                       |                     |  |
|                                 |                | Change RAID Pwd     | < Password > for RAID setup    |                       |                     |  |
|                                 |                | Rebuilding Priority | Highest/High/Medium/Low/Lowest |                       |                     |  |
|                                 | Standby Timer  | < 99999min >        |                                |                       |                     |  |
|                                 | System Manager | System Info         | Firmware Version               |                       |                     |  |
|                                 |                | Change Password     | < Password > for System Info   |                       |                     |  |
|                                 |                | Logout From Menu    | < Y or N >                     |                       |                     |  |
|                                 |                | Alarm Control       | Alarm Control                  | Mute the Buzzer       |                     |  |
|                                 |                |                     |                                | Voltage Monitor       | < 3.3V / 5V / 12V > |  |
|                                 |                |                     | Temp. Monitor                  | < Temp. >             |                     |  |
|                                 |                | Hardware Monitor    | FAN Monitor                    | <Fan Speed/Fan Level> |                     |  |



## 6. 故障硬盘更换步骤及资料重建功能说明

- 步骤1 取出故障硬盘所存放的抽取盒，再将硬盘从抽取盒上拆解下。
- 步骤2 将新的硬盘安装至抽取盒后，再将新硬盘的抽取盒插回SR4-WBS3+ 空的硬盘槽位置并将抽取盒门门锁上，确认硬盘已完全插入。
- 步骤3 RAID 5 模式下，将电源打开时，您将会看到所更换的新硬盘抽取盒旁的指示灯号呈现闪烁红蓝灯的状态表示更换上的硬盘资料正在进行重建；此时，您仍可正常使用SR4-WBS3+ 工作；待资料重建指示灯号停止，即代表资料重建完成。
- RAID 0 模式下，因单颗硬盘故障所造成所有资料损毁，更换新硬盘后，请重新将系统内的硬盘格式化。

## 7. 系统过热及风扇故障状况排除

SOHORAID SR4-WBS3+ 内建故障警示功能，若SR4-WBS3+ 内部温度超过60°C、SR4-WBS3+风扇发生故障时，SR4-WBS3+ 内建的蜂鸣器会发出警告声响，前面板的红色警示灯号也会亮起；此时你可选按系统背面的静音按钮，先将警示声关闭，并在允许的状况下关闭SR4-WBS3+ 电源让机器降温；同时，请先确认机体摆放环境是否通风良好，没有任何物体挡住风扇孔，一并检查SR4-WBS3+ 的风扇是否停止运转；待上述检查确认后，再将电源开启继续使用本系统。若问题还是无法获得解决，请与此产品供应商或 STARDOM 联络，以便取得进一步的支援。

## 8. 指示灯号说明

| States     | Front LED |           |  | buzzer                       |
|------------|-----------|-----------|--|------------------------------|
|            | Power LED | Alarm LED | HDD LED  |                              |
| Power on   | Blue      | -----     | Blue flash -> Blue   | 1 long when booting finished |
| No disk    | Blue      | -----     | -----  | -----                        |
| Disk Fail  | Blue      | -----     | Red  | -----                        |
| RAID Fail  | Blue      | -----     | Red  | 4 short                      |
| Disk Idle  | Blue      | -----     | Blue   | -----                        |
| Format     | Blue      | -----     | Blue flash   | -----                        |
| Access     | Blue      | -----     | Blue flash   | -----                        |
| Fan Fail   | Blue      | Red       | Blue   | 4 short                      |
| Over Temp  | Blue      | Red       | Blue   | 4 short                      |
| Rebuilding | Blue      | -----     | Source: Blue flash<br>Target: Blue and Purple light on alternatively | -----                        |

## 9. 常见问题

**Q1.** 我应该选择何种数据模式来格式化 SR4 系列产品内的硬盘？

A：这将取决于您平常所使用的电脑系统, 关于此点我们有以下建议：

1. Windows 2000/XP/Vista/windows 7 使用 NTFS
2. Mac OS X 使用 HFS+ ( Mac OS Extended )
3. 如必须同时使用于 PC 或 Mac, 请使用 FAT32 (单一 档案的最大限制是 4 GB)

**Q2.** 为什么我所购买的 SR4-WBS3+ 透过 e-SATA 介面无法达到网站上所公布的 200MB/s 以上的传输速度？

- A：1. 请先检查您所购置的 PCI-E SATA 扩充卡是否仅支援 PCI-E (1X), 此类扩充卡无法达到 135MB / s 以上的传输速度.
2. 建议您搭配选购 STARDOM SJ20-x8 (PCI-E 8x) 传输卡来让电脑在使用 e-SATA 时的传输速度达到最佳化.
3. SR4-WBS3+ 储存模式必须设定为 RAID 0 或 RAID 5 模式。









[www.stardom.com.tw](http://www.stardom.com.tw)



V1.1